

6.2 T836 Transmitter & T837 Exciter PCB

This section contains the following information.

IPN	Section	Page
220-01178-02	T836 Parts List	6.2.3
	T836 Mechanical & Miscellaneous Parts	6.2.7
	T837 Parts List	6.2.9
	T837 Mechanical & Miscellaneous Parts	6.2.12
	Grid Reference Index	6.2.13
	PCB Layout - Top Side	6.2.17
	PCB Layout - Bottom Side	6.2.18
	Test Points & Options - Top Side	6.2.19
	Test Points & Options - Bottom Side	6.2.20
	Synthesiser Circuit Diagram	6.2.21
	Audio Processor Circuit Diagram	6.2.22
	Regulator Circuit Diagram	6.2.23
	Exciter & PA Circuit Diagram	6.2.24

T836 Parts List (IPN 220-01178-02)

How To Use This Parts List

The components listed in this parts list are divided into two main types: those with a circuit reference (e.g. C2, D1, R121, etc) and those without (miscellaneous and mechanical).

Those with a circuit reference are grouped by component type in numerical order. Each component entry comprises three or four columns: the circuit reference, variant number (if applicable), IPN and description. A number in the variant column indicates that this component is fitted only to that variant.

The miscellaneous and mechanical section lists the variant and common parts in IPN order.

Parts List Amendments

R363 Changed from 220e (036-13220-00) to 1k to eliminate power control circuit 800kHz instability (93/11-600).

Ref	Var	IPN	Description	Ref	Var	IPN	Description
Note: With the exception of the following components: &R425, &R426, &R427, &R428, &R367 the "&" character is used in the exciter/PA circuit diagram and this Parts List to indicate components used only in the T836 (refer to the table in the exciter/PA circuit diagram).				C113		015-25100-08	CAP CER 0805 CHIP 10N 10% X7R 50V
				C115		015-06100-08	CAP CER 1206 CHIP 100N 10% X7R 50V
				C118		015-06100-08	CAP CER 1206 CHIP 100N 10% X7R 50V
				C119		020-07470-91	CAP ELECT RADL 4M7 63V 6X11MM BI-POLAR
				C121		015-06100-08	CAP CER 1206 CHIP 100N 10% X7R 50V
				C123		015-23470-08	CAP CER 0805 CHIP 470P 10% X7R 50V
				C124		015-21470-01	CAP CER 0805 CHIP 4P7 +/-0.25P NPO 50V
				C126		015-06100-08	CAP CER 1206 CHIP 100N 10% X7R 50V
				C128		015-23470-08	CAP CER 0805 CHIP 470P 10% X7R 50V
				C129		020-08470-02	CAP ELECT RADL 47M 16V 6X11MM
C133		015-24470-08	CAP CER 0805 CHIP 4N7 10% X7R 50V				
C135		015-22470-01	CAP CER 0805 CHIP 47P 5% NPO 50V				
C137		020-08220-01	CAP ELECT RADL 22M 16V 5X11MM				
C139		015-06100-08	CAP CER 1206 CHIP 100N 10% X7R 50V				
C141		015-05470-08	CAP CER 1206 CHIP 47N 10% X7R 50V				
C145		015-06100-08	CAP CER 1206 CHIP 100N 10% X7R 50V				
C146		015-24100-08	CAP CER 0805 CHIP 1N 10% X7R 50V				
C147		020-07100-02	CAP ELECT RADL 1M 50V 5X11MM				
C148		015-05220-08	CAP CER 1206 CHIP 22N 10% X7R 50V				
C149		015-06100-08	CAP CER 1206 CHIP 100N 10% X7R 50V				
C150		020-08100-03	CAP ELECT RADL 10UF 50V 5X11MM				
C151		015-21470-01	CAP CER 0805 CHIP 4P7 +/-0.25P NPO 50V				
C152		020-09100-03	CAP ELECT RADL 100M 16V 8X11MM				
C153		015-24100-08	CAP CER 0805 CHIP 1N 10% X7R 50V				
C154		020-09100-03	CAP ELECT RADL 100M 16V 8X11MM				
C156		020-07470-91	CAP ELECT RADL 4M7 63V 6X11MM BI-POLAR				
	10	015-21150-01	CAP CER 0805 CHIP 1P5 +/-0.25P NPO 5				
	15	015-21470-01	CAP CER 0805 CHIP 4P7 +/-0.25P NPO 5				
	20	015-21150-01	CAP CER 0805 CHIP 1P5 +/-0.25P NPO 5				
	25	015-21470-01	CAP CER 0805 CHIP 4P7 +/-0.25P NPO 5				
C158		015-05470-08	CAP CER 1206 CHIP 47N 10% X7R 50V				
C160		015-05470-08	CAP CER 1206 CHIP 47N 10% X7R 50V				
C161		015-24100-08	CAP CER 0805 CHIP 1N 10% X7R 50V				
C162		020-07470-91	CAP ELECT RADL 4M7 63V 6X11MM BI-POLAR				
C163		020-07470-91	CAP ELECT RADL 4M7 63V 6X11MM BI-POLAR				
C164		015-23470-08	CAP CER 0805 CHIP 470P 10% X7R 50V				
C166		015-05470-08	CAP CER 1206 CHIP 47N 10% X7R 50V				
C209		020-08100-03	CAP ELECT RADL 10UF 50V 5X11MM				
C212		015-06100-08	CAP CER 1206 CHIP 100N 10% X7R 50V				
C213		025-08100-02	CAP TANT BEAD 10M 10% 16V				
C214		015-06100-08	CAP CER 1206 CHIP 100N 10% X7R 50V				
C215		025-08100-02	CAP TANT BEAD 10M 10% 16V				
C216		015-06100-08	CAP CER 1206 CHIP 100N 10% X7R 50V				
C217		015-24100-08	CAP CER 0805 CHIP 1N 10% X7R 50V				
C218		015-24100-08	CAP CER 0805 CHIP 1N 10% X7R 50V				
C219		020-09470-07	CAP 470M 16V 20% ELEC VERT 8*20 3.5MM L				
C220		015-24470-08	CAP CER 0805 CHIP 4N7 10% X7R 50V				
C221		015-24100-08	CAP CER 0805 CHIP 1N 10% X7R 50V				
C222		020-09100-03	CAP ELECT RADL 100M 16V 8X11MM				
C223		020-07220-01	CAP ELECT RADL 2M2 50V 5X11MM				
C224		025-07330-01	CAP TANT BEAD 3M3 35V				
C225		015-24470-08	CAP CER 0805 CHIP 4N7 10% X7R 50V				
C226		020-07100-02	CAP ELECT RADL 1M 50V 5X11MM				
C227		020-08100-03	CAP ELECT RADL 10UF 50V 5X11MM				
C228		015-24100-08	CAP CER 0805 CHIP 1N 10% X7R 50V				
C229		015-24100-08	CAP CER 0805 CHIP 1N 10% X7R 50V				
C230		015-24100-08	CAP CER 0805 CHIP 1N 10% X7R 50V				
C231		015-24100-08	CAP CER 0805 CHIP 1N 10% X7R 50V				
C232		015-06100-08	CAP CER 1206 CHIP 100N 10% X7R 50V				
C1		015-06100-08	CAP CER 1206 CHIP 100N 10% X7R 50V				
C2		015-23680-08	CAP CER 0805 CHIP 680P 10% X7R 50V				
C3		015-06100-08	CAP CER 1206 CHIP 100N 10% X7R 50V				
C5		015-23680-08	CAP CER 0805 CHIP 680P 10% X7R 50V				
C6		015-24100-08	CAP CER 0805 CHIP 1N 10% X7R 50V				
C8		015-23680-08	CAP CER 0805 CHIP 680P 10% X7R 50V				
C9		015-23680-08	CAP CER 0805 CHIP 680P 10% X7R 50V				
C10		015-23680-08	CAP CER 0805 CHIP 680P 10% X7R 50V				
C11		015-23680-08	CAP CER 0805 CHIP 680P 10% X7R 50V				
C12		015-23680-08	CAP CER 0805 CHIP 680P 10% X7R 50V				
C13		015-06100-08	CAP CER 1206 CHIP 100N 10% X7R 50V				
C15		020-08100-03	CAP ELECT RADL 10UF 50V 5X11MM				
C16		015-06100-08	CAP CER 1206 CHIP 100N 10% X7R 50V				
C17		015-22560-01	CAP CER 0805 CHIP 56P 5% NPO 50V				
C19		015-23680-08	CAP CER 0805 CHIP 680P 10% X7R 50V				
C20		015-23470-08	CAP CER 0805 CHIP 470P 10% X7R 50V				
C21		015-24100-08	CAP CER 0805 CHIP 1N 10% X7R 50V				
C25		025-08100-02	CAP TANT BEAD 10M 10% 16V				
C26		015-25100-08	CAP CER 0805 CHIP 10N 10% X7R 50V				
C29		022-06330-03	CAP METAL POLYES 330N 10% 50V 5MM L/S				
C30		020-08100-03	CAP ELECT RADL 10UF 50V 5X11MM				
C33		015-06100-08	CAP CER 1206 CHIP 100N 10% X7R 50V				
C34		020-08100-03	CAP ELECT RADL 10UF 50V 5X11MM				
C35		020-08100-03	CAP ELECT RADL 10UF 50V 5X11MM				
C36		015-06100-08	CAP CER 1206 CHIP 100N 10% X7R 50V				
C39		015-06100-08	CAP CER 1206 CHIP 100N 10% X7R 50V				
C40		015-21820-01	CAP CER 0805 CHIP 8P2 +/-0.25P NPO 50V				
C42		015-25150-08	CAP CER 0805 CHIP 15N 10% X7R 50V				
C43		015-25100-08	CAP CER 0805 CHIP 10N 10% X7R 50V				
C44		015-23220-01	CAP CER 0805 CHIP 220P 5% NPO 50V				
C45		015-24470-08	CAP CER 0805 CHIP 4N7 10% X7R 50V				
C46		015-06100-08	CAP CER 1206 CHIP 100N 10% X7R 50V				
C47		020-08470-02	CAP ELECT RADL 47M 16V 6X11MM				
C48		015-23220-01	CAP CER 0805 CHIP 220P 5% NPO 50V				
C101		020-08100-03	CAP ELECT RADL 10UF 50V 5X11MM				
C102		020-07470-91	CAP ELECT RADL 4M7 63V 6X11MM BI-POLAR				
C103		020-07470-91	CAP ELECT RADL 4M7 63V 6X11MM BI-POLAR				
C104		015-24100-08	CAP CER 0805 CHIP 1N 10% X7R 50V				
C105		015-24100-08	CAP CER 0805 CHIP 1N 10% X7R 50V				
C106		015-24220-08	CAP CER 0805 CHIP 2N2 10% X7R 50V				
C107		020-08220-01	CAP ELECT RADL 22M 16V 5X11MM				
C108		015-24100-08	CAP CER 0805 CHIP 1N 10% X7R 50V				
C109		015-24100-08	CAP CER 0805 CHIP 1N 10% X7R 50V				
C110		015-24100-08	CAP CER 0805 CHIP 1N 10% X7R 50V				
C111		015-22470-01	CAP CER 0805 CHIP 47P 5% NPO 50V				
C112		020-08220-01	CAP ELECT RADL 22M 16V 5X11MM				

Ref	Var	IPN	Description	Ref	Var	IPN	Description
C233		015-06100-08	CAP CER 1206 CHIP 100N 10% X7R 50V	L1		052-08160-25	COIL A/W 2.5T/6.0MM HOR 0.8MM WIRE
C300		015-24470-08	CAP CER 0805 CHIP 4N7 10% X7R 50V	L300		052-08125-15	COIL A/W 1.5T/2.5MM HOR 0.8MM WIRE
C303		015-24100-08	CAP CER 0805 CHIP 1N 10% X7R 50V	L303		065-00010-04	BEAD FERRITE F8 4X2X5MM
C308		015-24100-08	CAP CER 0805 CHIP 1N 10% X7R 50V	L308		056-00021-01	IND FXD 1.5UH AXIAL
C313		015-04100-04	CAP CER 1206 CHIP 1N 10% X7R 50V	L309		052-08145-35	COIL A/W 3.5/4.5MM HOR 0.8MM WIRE
C317		015-22820-01	CAP CER 0805 CHIP 82P 5% NPO 50V	L310		056-00021-01	IND FXD 1.5UH AXIAL
C319		015-22470-01	CAP CER 0805 CHIP 47P 5% NPO 50V	L311		052-08135-25	COIL A/W 2.5T/3.5MM HOR 0.8MM WIRE
C322		015-21820-01	CAP CER 0805 CHIP 8P2 +/-0.25P NPO 50V	L312		052-08140-35	COIL A/W 3.5T/4.0MM HOR 0.8MM WIRE
C330		015-06100-08	CAP CER 1206 CHIP 100N 10% X7R 50V	L313		052-08130-15	COIL A/W 1.5T/3.0MM HOR 0.8MM WIRE
C335		015-22330-01	CAP CER 0805 CHIP 33P 5% NPO 50V	L314		056-00021-01	IND FXD 1.5UH AXIAL
C350		015-24100-08	CAP CER 0805 CHIP 1N 10% X7R 50V	&L418		052-08135-15	COIL A/W 1.5T/3.5MM HOR 0.8MM WIRE
C351		015-24100-08	CAP CER 0805 CHIP 1N 10% X7R 50V	&L420		065-00010-04	BEAD FERRITE F8 4X2X5MM
C352		022-05470-01	CAP MYLAR 47N 10% 50V	&L421		065-00010-04	BEAD FERRITE F8 4X2X5MM
C355		015-24100-08	CAP CER 0805 CHIP 1N 10% X7R 50V	&L422		052-08130-15	COIL A/W 1.5T/3.0MM HOR 0.8MM WIRE
C356		015-24100-08	CAP CER 0805 CHIP 1N 10% X7R 50V	&L424		052-08140-15	COIL A/W 1.5T/4.0MM HOR 0.8MM WIRE
C357		015-25100-08	CAP CER 0805 CHIP 10N 10% X7R 50V	&L425		065-00010-04	BEAD FERRITE F8 4X2X5MM
C358		015-24100-08	CAP CER 0805 CHIP 1N 10% X7R 50V	&L431		052-08130-15	COIL A/W 1.5T/3.0MM HOR 0.8MM WIRE
C359		015-24100-08	CAP CER 0805 CHIP 1N 10% X7R 50V	&L432		056-00021-01	IND FXD 1.5UH AXIAL
C360		015-24100-08	CAP CER 0805 CHIP 1N 10% X7R 50V	&L433		056-00021-01	IND FXD 1.5UH AXIAL
C361		015-24100-08	CAP CER 0805 CHIP 1N 10% X7R 50V	&L434		052-08135-45	COIL A/W 4.5T/3.5MM HOR 0.8MM WIRE
C362		015-24470-08	CAP CER 0805 CHIP 4N7 10% X7R 50V	&L435		052-08150-25	COIL A/W 2.5T/5.0MM HOR 0.8MM WIRE
C363		015-24100-08	CAP CER 0805 CHIP 1N 10% X7R 50V	&L436		052-08150-25	COIL A/W 2.5T/5.0MM HOR 0.8MM WIRE
C364		015-24100-08	CAP CER 0805 CHIP 1N 10% X7R 50V	&L437		052-08135-45	COIL A/W 4.5T/3.5MM HOR 0.8MM WIRE
C366		020-07470-04	CAP ELECT RADL 4M7 25V 20% 8X13MM SOLID	&L439		056-00021-01	IND FXD 1.5UH AXIAL
C367		015-24100-08	CAP CER 0805 CHIP 1N 10% X7R 50V	&L440		065-00010-01	BEAD FERRITE 3B 6 HOLE
C370		015-24100-08	CAP CER 0805 CHIP 1N 10% X7R 50V	&L441		052-08140-25	COIL A/W 2.5T/4.0MM HOR 0.8MM WIRE
C371		025-08100-02	CAP TANT BEAD 10M 10% 16V	&L442		052-08140-25	COIL A/W 2.5T/4.0MM HOR 0.8MM WIRE
&C372		015-24100-08	CAP CER 0805 CHIP 1N 10% X7R 50V	LED1		008-00013-32	(S) LED 3MM RED LO CURRENT NO MTG
C373		025-08100-02	CAP TANT BEAD 10M 10% 16V	LED2		008-00013-35	(S) LED 3MM GREEN LO CURRENT NO MTG
&CV400		028-02300-03	CAP TRIM 5/30P N750 TOP ADJ GREEN MUR	PL1		240-00020-57	HEADER 10 WAY 1 ROW PCB MTG
&C447		015-22560-01	CAP CER 0805 CHIP 56P 5% NPO 50V	PL100		240-00020-67	HEADER 6WAY 2X3 PCB MTG STD
&C448		015-23180-01	CAP CER 0805 CHIP 180P 5% NPO 50V	PL101		240-00020-67	HEADER 6WAY 2X3 PCB MTG STD
&C449		015-05470-08	CAP CER 1206 CHIP 47N 10% X7R 50V	PL102		240-00020-44	HEADER 10WAY 2ROW STRAIGHT PCB MTG (5*
&C450		015-04100-05	CAP CER HIQ 1210 CHIP 1N 10% NPO 50V	PL103		240-00020-67	HEADER 6WAY 2X3 PCB MTG STD
&C451		015-02820-02	CAP CER HIQ 1210 CHIP 82P 5% NPO 200V	Q1		000-10057-10	(S) XSTR SMD MMBR571 NPN SOT-23 UHF LO PW
&C452		015-02820-02	CAP CER HIQ 1210 CHIP 82P 5% NPO 200V	Q5		000-10008-48	(S) XSTR SMD BCW60/BC848B215 NPN SOT23 AF
&C453		020-07470-04	CAP ELECT RADL 4M7 25V 20% 8X13MM SOLI	Q6		000-10008-57	(S) XSTR SMD BCW70 PNP SOT23 AF SML SIG
&C454		015-24100-08	CAP CER 0805 CHIP 1N 10% X7R 50V	Q7		000-10008-48	(S) XSTR SMD BCW60/BC848B215 NPN SOT23 AF
&C455		015-03180-02	CAP CER HIQ 1210 CHIP 180P 5% NPO 100V	Q8		000-10008-48	(S) XSTR SMD BCW60/BC848B215 NPN SOT23 AF
&C456		015-05470-08	CAP CER 1206 CHIP 47N 10% X7R 50V	Q9		000-10008-57	(S) XSTR SMD BCW70 PNP SOT23 AF SML SIG
&C457		015-03330-02	CAP CER HIQ 1210 CHIP 330P 5% NPO 100V	Q10		000-10008-48	(S) XSTR SMD BCW60/BC848B215 NPN SOT23 A
&C458		015-02270-02	CAP CER HIQ 1210 CHIP 27P 5% NPO 200V	Q11		000-10008-57	(S) XSTR SMD BCW70 PNP SOT23 AF SML SIG
&C459		029-03100-02	CAP MICA 5MM CASE 100P 5%	Q101		000-10008-48	(S) XSTR SMD BCW60/BC848B215 NPN SOT23
&C460		015-02220-02	CAP CER HIQ 1210 CHIP 22P 5% NPO 200V	Q102		000-10008-57	(S) XSTR SMD BCW70 PNP SOT23 AF SML SIG
&C461		015-04100-05	CAP CER HIQ 1210 CHIP 1N 10% NPO 50V	Q103		000-10008-17	(S) XSTR SMD BC817-25 NPN SOT-23 AF LO
&C462		015-24100-08	CAP CER 0805 CHIP 1N 10% X7R 50V	Q104		000-10008-48	(S) XSTR SMD BCW60/BC848B215 NPN SOT23
&C463		015-24100-08	CAP CER 0805 CHIP 1N 10% X7R 50V	Q105		000-10008-17	(S) XSTR SMD BC817-25 NPN SOT-23 AF LO
&C464		015-24100-08	CAP CER 0805 CHIP 1N 10% X7R 50V	Q106		000-00011-91	(S) XSTR BD139 NPN AF PWR TO126
&C465		015-24100-08	CAP CER 0805 CHIP 1N 10% X7R 50V	Q208		000-10008-17	(S) XSTR SMD BC817-25 NPN SOT-23 AF LO
&C466		015-02150-02	CAP CER HIQ 1210 CHIP 15P 5% NPO 200V	Q209		000-00011-30	(S) XSTR SMD BC817-25 NPN SOT-23 AF LO
&C467		015-02330-02	CAP CER HIQ 1210 CHIP 33P 5% NPO 200V	Q210		000-00012-15	(S) XSTR BC557B PNP AF SML SIG TO92
&C468		015-02270-02	CAP CER HIQ 1210 CHIP 27P 5% NPO 200V	Q211		000-00012-15	(S) XSTR BD234 PNP AF PWR TO126
&C469		015-02330-02	CAP CER HIQ 1210 CHIP 33P 5% NPO 200V	Q212		000-10008-07	(S) XSTR SMD BC807 PNP SOT-23 AF LO PWR
&C470		015-02150-02	CAP CER HIQ 1210 CHIP 15P 5% NPO 200V	Q212		000-10008-57	(S) XSTR SMD BCW70 PNP SOT23 AF SML SIG
&C471		015-24100-08	CAP CER 0805 CHIP 1N 10% X7R 50V	Q300		000-00031-96	(S) XSTR 3866 NPN TO-92 SW. MOT ONLY
&C472		015-24100-08	CAP CER 0805 CHIP 1N 10% X7R 50V	Q301		000-00022-30	(S) XSTR 2N4427 NPN TO-39 VHF PWR DRIVE
&C473		015-05470-08	CAP CER 1206 CHIP 47N 10% X7R 50V	Q350		000-10008-48	(S) XSTR SMD BCW60/BC848B215 NPN SOT23
&C475		020-07470-04	CAP ELECT RADL 4M7 25V 20% 8X13MM SOLI	Q351		000-10008-17	(S) XSTR SMD BC817-25 NPN SOT-23 AF LO
&C476		015-21820-01	CAP CER 0805 CHIP 8P2 +/-0.25P NPO 50V	Q352		000-00012-15	(S) XSTR BD234 PNP AF PWR TO126
&C477		015-21820-01	CAP CER 0805 CHIP 8P2 +/-0.25P NPO 50V	&Q353		000-10008-48	(S) XSTR SMD BCW60/BC848B215 NPN SOT23
D4		001-10000-70	(S) DIODE SMD BAV70 DUAL SWITCH SOT-23 CO	&Q423		000-00021-65	(S) XSTR SD1012-9 NPN STUD MTG VHF PWR
D5		001-10000-99	(S) DIODE SMD BAV99 DUAL SWTCH SNGLE INLI	&Q424		000-00023-23	(S) XSTR SRFH1001 NPN STUM MTG VHF PWR
D6		001-10000-99	(S) DIODE SMD BAV99 DUAL SWTCH SNGLE INLI	R1		036-12100-00	RES M/F 0805 CHIP 10E 5%
D100		001-10000-56	(S) DIODE SMD BAW56 DUAL SWITCH SOT-23	R2		036-12220-00	RES M/F 0805 CHIP 22E 5%
D101		001-10000-99	(S) DIODE SMD BAV99 DUAL SWITCH SNGLE IN	R3		036-17100-00	RES M/F 0805 CHIP 1M 5%
D102		001-10000-56	(S) DIODE SMD BAW56 DUAL SWITCH SOT-23	R5		036-14100-00	RES M/F 0805 CHIP 1K 5%
D103		001-10000-56	(S) DIODE SMD BAW56 DUAL SWITCH SOT-23	R6		036-17100-00	RES M/F 0805 CHIP 1M 5%
D104		001-10000-99	(S) DIODE SMD BAV99 DUAL SWITCH SNGLE IN	R7		036-14330-00	RES M/F 0805 CHIP 3K3 5%
D106		001-00015-29	(S) DIODE ZENER 33V 0.4W BZX79/C33	R8		036-13100-00	RES M/F 0805 CHIP 100E 5%
D204		001-10000-70	(S) DIODE SMD BAV70 DUAL SWITCH SOT-23	R9		036-12680-00	RES M/F 0805 CHIP 68E 5%
D205		001-10000-70	(S) DIODE SMD BAV70 DUAL SWITCH SOT-23	R10		036-13220-00	RES M/F 0805 CHIP 220E 5%
D206		001-10000-99	(S) DIODE SMD BAV99 DUAL SWITCH SNGLE IN	R11		036-17100-00	RES M/F 0805 CHIP 1M 5%
D207		001-10000-70	(S) DIODE SMD BAV70 DUAL SWITCH SOT-23	R14		036-17100-00	RES M/F 0805 CHIP 1M 5%
D208		001-10000-70	(S) DIODE SMD BAV70 DUAL SWITCH SOT-23	R16		036-17100-00	RES M/F 0805 CHIP 1M 5%
D209		001-10000-70	(S) DIODE SMD BAV70 DUAL SWITCH SOT-23	R18		036-12100-00	RES M/F 0805 CHIP 10E 5%
D210		001-00015-17	(S) DIODE ZENER 9V1 0.4W BZX79/C9V1	R19		036-17100-00	RES M/F 0805 CHIP 1M 5%
D211		001-10000-70	(S) DIODE SMD BAV70 DUAL SWITCH SOT-23	R20		036-17100-00	RES M/F 0805 CHIP 1M 5%
D212		001-00011-60	(S) DIODE SR2607 6A/30V	R21		036-12100-00	RES M/F 0805 CHIP 10E 5%
D351		001-00015-69	(S) DIODE ZENER 11V 0.5W LO CURRENT HZ1	R22		036-12220-00	RES M/F 0805 CHIP 22E 5%
&D410		001-00013-45	(S) DIODE SCHOTTKY 1SS97/2	R24		036-12220-00	RES M/F 0805 CHIP 22E 5%
&D411		001-00013-45	(S) DIODE SCHOTTKY 1SS97/2	R25		036-15220-00	RES M/F 0805 CHIP 22K 5%
IC1		539-00010-41	TCXO 12.8MHZ +/-2.5PPM -30 TO +70C NDK NS	R29		036-17100-00	RES M/F 0805 CHIP 1M 5%
IC3		002-00017-51	(S) IC SP8793 DUAL MOD PRESC 40/41	R30		036-13220-00	RES M/F 0805 CHIP 220E 5%
IC4		002-74045-20	(S) IC 74HC4520 DUAL 4BIT SYNCRO CNTR	R32		036-14100-00	RES M/F 0805 CHIP 1K 5%
IC5		002-00017-63	(S) IC NJ8820DP FREQ SYNTHESIZER	R35		036-15100-00	RES M/F 0805 CHIP 10K 5%
IC6		002-00012-47	(S) IC MC33078 DUAL OP AMP LO NOISE	R36		036-16470-00	RES M/F 0805 CHIP 470K 5%
IC7		002-74000-04	(S) IC 74HCU04 UNBUFF HEX INVERTER	R37		036-15120-00	RES M/F 0805 CHIP 12K 5%
IC100		002-00020-50	(S) IC 4N25A OPTOCOUPLER	R38		036-15100-00	RES M/F 0805 CHIP 10K 5%
IC101		002-00015-30	(S) IC 4053B 2CHAN MUX/DEMUX	R39		036-16470-00	RES M/F 0805 CHIP 470K 5%
IC102		002-00014-40	(S) IC 324 QUAD OP AMP	R40		036-16470-00	RES M/F 0805 CHIP 470K 5%
IC103		002-00012-25	(S) IC TL084 QUAD OP AMP JFET I/P	R42		036-14560-00	RES M/F 0805 CHIP 5K6 5%
IC104		002-00012-40	(S) IC 358 DUAL OP AMP	R43		036-12220-00	RES M/F 0805 CHIP 22E 5%
IC201		002-00014-62	(S) IC 317L 100MA REG 3 TERMINAL TO-92	R46		036-13680-00	RES M/F 0805 CHIP 680E 5%
IC202		002-00014-40	(S) IC 324 QUAD OP AMP	R47		036-14100-00	RES M/F 0805 CHIP 1K 5%
IC350		002-00012-40	(S) IC 358 DUAL OP AMP	R48		036-14470-00	RES M/F 0805 CHIP 4K7 5%

Ref	Var	IPN	Description	Ref	Var	IPN	Description
R49		036-14470-00	RES M/F 0805 CHIP 4K7 5%	R188		036-17100-00	RES M/F 0805 CHIP 1M 5%
R50		036-15100-00	RES M/F 0805 CHIP 10K 5%	R189		036-13560-00	RES M/F 0805 CHIP 560E 5%
R51		036-15100-00	RES M/F 0805 CHIP 10K 5%	R190		036-14220-00	RES M/F 0805 CHIP 2K2 5%
R52		036-15100-00	RES M/F 0805 CHIP 10K 5%	R192		036-14270-00	RES M/F 0805 CHIP 2K7 5%
R54		036-14100-00	RES M/F 0805 CHIP 1K 5%	R194		036-15470-00	RES M/F 0805 CHIP 47K 5%
R55		036-13100-00	RES M/F 0805 CHIP 100E 5%	R195		036-14470-00	RES M/F 0805 CHIP 4K7 5%
R56		036-17100-00	RES M/F 0805 CHIP 1M 5%	R196		036-14470-00	RES M/F 0805 CHIP 4K7 5%
R57		036-15100-00	RES M/F 0805 CHIP 10K 5%	R197		036-14270-00	RES M/F 0805 CHIP 2K7 5%
R58		036-15100-00	RES M/F 0805 CHIP 10K 5%	RV201		042-07100-06	RES PRESET 1M CARBON 6MM FLAT
R59		036-14270-00	RES M/F 0805 CHIP 2K7 5%	RV202		042-07100-06	RES PRESET 1M CARBON 6MM FLAT
R60		036-15560-00	RES M/F 0805 CHIP 56K 5%	R224		036-13100-00	RES M/F 0805 CHIP 100E 5%
R61		036-15100-00	RES M/F 0805 CHIP 10K 5%	R227		036-12100-00	RES M/F 0805 CHIP 10E 5%
R62		036-15100-00	RES M/F 0805 CHIP 10K 5%	R228		036-12330-00	RES M/F 0805 CHIP 33E 5%
R64		036-15150-00	RES M/F 0805 CHIP 15K 5%	R229		036-12330-00	RES M/F 0805 CHIP 33E 5%
R65		036-16100-00	RES M/F 0805 CHIP 100K 5%	R230		036-14470-00	RES M/F 0805 CHIP 4K7 5%
R67		036-14270-00	RES M/F 0805 CHIP 2K7 5%	R231		036-14100-00	RES M/F 0805 CHIP 1K 5%
R68		036-15560-00	RES M/F 0805 CHIP 56K 5%	R232		032-33270-00	RES M/F PWR 270E 5% 1W 12X4.5MM
R72		036-15150-00	RES M/F 0805 CHIP 15K 5%	R233		032-31100-00	RES M/F PWR 1E0 5% 1W 12X4.5MM
R73		036-13330-00	RES M/F 0805 CHIP 330E 5%	R234		032-31100-00	RES M/F PWR 1E0 5% 1W 12X4.5MM
R74		036-12100-00	RES M/F 0805 CHIP 10E 5%	R235		036-14680-00	RES M/F 0805 CHIP 6K8 5%
R75		036-12100-00	RES M/F 0805 CHIP 10E 5%	R236		036-15100-00	RES M/F 0805 CHIP 10K 5%
RV100		040-05100-23	POT 10K LOG VERT PCB MTG 15MM SLOT SHA	R237		036-15100-00	RES M/F 0805 CHIP 10K 5%
R100		036-13100-00	RES M/F 0805 CHIP 100E 5%	R238		036-16100-00	RES M/F 0805 CHIP 100K 5%
R101		036-15100-00	RES M/F 0805 CHIP 10K 5%	R239		036-16100-00	RES M/F 0805 CHIP 100K 5%
R102		036-13470-00	RES M/F 0805 CHIP 470E 5%	R240		036-15470-00	RES M/F 0805 CHIP 47K 5%
R103		036-13560-00	RES M/F 0805 CHIP 560E 5%	R241		036-16470-00	RES M/F 0805 CHIP 470K 5%
RV104		042-05470-06	RES PRESET 47K CARBON 6MM FLAT TOP ADJ	R242		036-14100-00	RES M/F 0805 CHIP 1K 5%
R104		036-13560-00	RES M/F 0805 CHIP 560E 5%	R243		036-16100-00	RES M/F 0805 CHIP 100K 5%
RV105		042-06100-06	RES PRESET 100K CARBON 6MM FLAT	R244		036-16100-00	RES M/F 0805 CHIP 100K 5%
R105		036-15100-00	RES M/F 0805 CHIP 10K 5%	R245		036-14150-00	RES M/F 0805 CHIP 1K5 5%
RV106		042-04470-06	RES PRESET 4K7 CARBON 6MM FLAT	R246		036-15470-00	RES M/F 0805 CHIP 47K 5%
R106		036-14220-00	RES M/F 0805 CHIP 2K2 5%	R247		036-16330-00	RES M/F 0805 CHIP 330K 5%
R107		036-15100-00	RES M/F 0805 CHIP 10K 5%	R248		036-16120-00	RES M/F 0805 CHIP 120K 5%
R108		036-14100-00	RES M/F 0805 CHIP 1K 5%	R249		036-16330-00	RES M/F 0805 CHIP 330K 5%
R109		036-14390-00	RES M/F 0805 CHIP 3K9 5%	R250		036-14100-00	RES M/F 0805 CHIP 1K 5%
R110		036-15100-00	RES M/F 0805 CHIP 10K 5%	R251		036-13560-00	RES M/F 0805 CHIP 560E 5%
R111		036-16390-00	RES M/F 0805 CHIP 390K 5%	R252		036-16100-00	RES M/F 0805 CHIP 100K 5%
R112		036-16100-00	RES M/F 0805 CHIP 100K 5%	R253		036-15150-00	RES M/F 0805 CHIP 15K 5%
R113		036-16100-00	RES M/F 0805 CHIP 100K 5%	R254		036-15560-00	RES M/F 0805 CHIP 56K 5%
R115		036-15100-00	RES M/F 0805 CHIP 10K 5%	R255		036-15100-00	RES M/F 0805 CHIP 10K 5%
R116		036-16100-00	RES M/F 0805 CHIP 100K 5%	R256		036-15100-00	RES M/F 0805 CHIP 10K 5%
R117		036-15100-00	RES M/F 0805 CHIP 10K 5%	R257		036-10000-00	RES M/F 0805 CHIP ZERO OHM
R118		036-13560-00	RES M/F 0805 CHIP 560E 5%	R258		036-15100-00	RES M/F 0805 CHIP 10K 5%
R119		036-16100-00	RES M/F 0805 CHIP 100K 5%	R259		036-14150-00	RES M/F 0805 CHIP 1K5 5%
R120		036-16100-00	RES M/F 0805 CHIP 100K 5%	R260		036-13470-00	RES M/F 0805 CHIP 470E 5%
R121		036-16100-00	RES M/F 0805 CHIP 100K 5%	R300		030-53150-20	RES FILM AI 150E 5% 0.4W 4X1.6MM
R122		036-15120-00	RES M/F 0805 CHIP 12K 5%	R301		030-52390-20	RES FILM AI 39E 5% 0.4W 4X1.6MM
R123		036-15120-00	RES M/F 0805 CHIP 12K 5%	R302		030-53150-20	RES FILM AI 150E 5% 0.4W 4X1.6MM
R124		036-14270-00	RES M/F 0805 CHIP 2K7 5%	R303		036-13330-00	RES M/F 0805 CHIP 330E 5%
R127		036-16100-00	RES M/F 0805 CHIP 100K 5%	R304		036-12560-00	RES M/F 0805 CHIP 56E 5%
R128		036-16100-00	RES M/F 0805 CHIP 100K 5%	R305		030-53560-20	RES FILM AI 560E 5% 0.4W 4X1.6MM
R131		036-17100-00	RES M/F 0805 CHIP 1M 5%	R306		036-12470-00	RES M/F 0805 CHIP 47E 5%
R136		036-15100-00	RES M/F 0805 CHIP 10K 5%	R313		036-14100-00	RES M/F 0805 CHIP 1K 5%
R141		036-16150-00	RES M/F 0805 CHIP 150K 5%	R350		036-15100-00	RES M/F 0805 CHIP 10K 5%
R143		036-14220-00	RES M/F 0805 CHIP 2K2 5%	&RV351		042-04220-06	RES PRESET 2K2 CARBON 6MM FLAT
R146		036-15220-00	RES M/F 0805 CHIP 22K 5%	R352		036-14100-00	RES M/F 0805 CHIP 1K 5%
R147		036-15470-00	RES M/F 0805 CHIP 47K 5%	R353		036-14470-00	RES M/F 0805 CHIP 4K7 5%
R148		036-16150-00	RES M/F 0805 CHIP 150K 5%	R354		036-16220-00	RES M/F 0805 CHIP 220K 5%
R149		036-15470-00	RES M/F 0805 CHIP 47K 5%	&RV356		042-05100-06	RES PRESET 10K CARBON 6MM FLAT
R150		036-15470-00	RES M/F 0805 CHIP 47K 5%	R357		036-14220-00	RES M/F 0805 CHIP 2K2 5%
R151		036-14470-00	RES M/F 0805 CHIP 4K7 5%	&RV357		042-05470-06	RES PRESET 47K CARBON 6MM FLAT TOP AD
*R152	10	036-15220-00	RES M/F 0805 CHIP 22K 5%	R358		036-14220-00	RES M/F 0805 CHIP 2K2 5%
*R152	15	036-15270-00	RES M/F 0805 CHIP 27K 5%	R359		036-14100-00	RES M/F 0805 CHIP 1K 5%
*R152	20	036-15220-00	RES M/F 0805 CHIP 22K 5%	R360		036-13100-00	RES M/F 0805 CHIP 100E 5%
*R152	25	036-15270-00	RES M/F 0805 CHIP 27K 5%	R361		036-15150-00	RES M/F 0805 CHIP 15K 5%
R155		036-15100-00	RES M/F 0805 CHIP 10K 5%	R362		036-14470-00	RES M/F 0805 CHIP 4K7 5%
R159		036-14220-00	RES M/F 0805 CHIP 2K2 5%	R363		036-14100-00	RES M/F 0805 CHIP 1K 5%
R162		036-13680-00	RES M/F 0805 CHIP 680E 5%	R364		036-11330-00	RES M/F 0805 CHIP 3E3 5%
R163		036-14100-00	RES M/F 0805 CHIP 1K 5%	R365		036-13390-00	RES M/F 0805 CHIP 390E 5%
R164		036-13680-00	RES M/F 0805 CHIP 680E 5%	R366		036-13390-00	RES M/F 0805 CHIP 390E 5%
R166		036-17100-00	RES M/F 0805 CHIP 1M 5%	R417		036-16470-00	RES M/F 0805 CHIP 470K 5%
R167		036-14680-00	RES M/F 0805 CHIP 6K8 5%	R420		036-12100-00	RES M/F 0805 CHIP 10E 5%
R168		036-17100-00	RES M/F 0805 CHIP 1M 5%	R421		036-15150-00	RES M/F 0805 CHIP 15K 5%
R169		036-16120-00	RES M/F 0805 CHIP 120K 5%	R422		030-53220-20	RES FILM AI 220E 5% 0.4W 4X1.6MM
R170		036-15100-00	RES M/F 0805 CHIP 10K 5%	R423		030-53180-20	RES FILM AI 180E 5% 0.4W 4X1.6MM
R171		036-14220-00	RES M/F 0805 CHIP 2K2 5%	R424		030-53560-20	RES FILM AI 560E 5% 0.4W 4X1.6MM
R172		036-16470-00	RES M/F 0805 CHIP 470K 5%	&R425		030-52180-20	RES FILM AI 18E 5% 0.4W 4X1.6MM
R173		036-15100-00	RES M/F 0805 CHIP 10K 5%	&R426		030-52180-20	RES FILM AI 18E 5% 0.4W 4X1.6MM
R174		036-16330-00	RES M/F 0805 CHIP 330K 5%	&R427		030-53560-20	RES FILM AI 560E 5% 0.4W 4X1.6MM
R175		036-14100-00	RES M/F 0805 CHIP 1K 5%	&R428		030-53560-20	RES FILM AI 560E 5% 0.4W 4X1.6MM
R176		036-16100-00	RES M/F 0805 CHIP 100K 5%	&R429		036-14470-00	RES M/F 0805 CHIP 4K7 5%
R177		036-16100-00	RES M/F 0805 CHIP 100K 5%	&R430		036-14470-00	RES M/F 0805 CHIP 4K7 5%
R178		036-15560-00	RES M/F 0805 CHIP 56K 5%	&R431		036-14220-00	RES M/F 0805 CHIP 2K2 5%
R179		036-15560-00	RES M/F 0805 CHIP 56K 5%	&R457		030-51330-20	RES FILM AI 3E3 5% 0.4W 4X1.6MM
R180		036-17100-00	RES M/F 0805 CHIP 1M 5%	&R458		032-32100-00	RES M/F PWR 10E 5% 1W 10X4MM
R181		036-14220-00	RES M/F 0805 CHIP 2K2 5%	&R459		032-33150-00	RES M/F PWR 150E 5% 1W 12X4.5MM
R182		036-14220-00	RES M/F 0805 CHIP 2K2 5%	&R460		030-52100-20	RES FILM AI 10E 5% 0.4W 4X1.6MM
R183		036-14560-00	RES M/F 0805 CHIP 5K6 5%	&R461		030-52100-20	RES FILM AI 10E 5% 0.4W 4X1.6MM
*R184	10	036-15150-00	RES M/F 0805 CHIP 15K 5%	&R462		030-52100-20	RES FILM AI 10E 5% 0.4W 4X1.6MM
*R184	15	036-15180-00	RES M/F 0805 CHIP 18K 5%	&R464		032-33180-00	RES M/F PWR 180E 5% 1W 12X4.5MM
*R184	20	036-15150-00	RES M/F 0805 CHIP 15K 5%	&R466		036-15470-00	RES M/F 0805 CHIP 47K 5%
*R184	25	036-15180-00	RES M/F 0805 CHIP 18K 5%	&R469		036-15470-00	RES M/F 0805 CHIP 47K 5%
*R185	10	036-15470-00	RES M/F 0805 CHIP 47K 5%	&R470		036-13100-00	RES M/F 0805 CHIP 100E 5%
*R185	15	036-15560-00	RES M/F 0805 CHIP 56K 5%	&R471		036-13100-00	RES M/F 0805 CHIP 100E 5%
*R185	20	036-15470-00	RES M/F 0805 CHIP 47K 5%	&R480		036-14470-00	RES M/F 0805 CHIP 4K7 5%
*R185	25	036-15560-00	RES M/F 0805 CHIP 56K 5%	&R481		036-14470-00	RES M/F 0805 CHIP 4K7 5%
R186		036-15100-00	RES M/F 0805 CHIP 10K 5%	&R482		045-04470-01	RES NTC 4K7 5% 5MM DISC
R187		036-15560-00	RES M/F 0805 CHIP 56K 5%				

Ref	Var	IPN	Description	Ref	Var	IPN	Description
SK1		240-04020-57	SKT 10 WAY 1ROW PCB MTG TOP ENTRY				
SK100		240-02020-05	SKT STEREO PHONE JACK PCB MTG				
SK300		240-02100-44	SKT COAX MINI JACK PCB MTG ANGLED				
SK401		240-02100-44	SKT COAX MINI JACK PCB MTG ANGLED				
SW101		232-00010-26	SWITCH PUSH SPDT RT ANGLE PCB MTG NO B				
T100		053-00010-17	XFMR T4030 LINE MATCH POTCORE				
T200		050-00016-50	COIL TAIT NO 650 455KHZ 5.6MM CAN				

T836 Mechanical & Miscellaneous Parts (220-01178-02)

IPN	Description	IPN	Description
012-04150-01	CAP CER F/THRU 1N5 NO LEAD (C1-C15)	345-00040-11	SCREW M3X10MM PAN POZI ST BZ For Final Carcassing Kit
051-00006-02	SOLDER SPRING 1.3MM A4M1877	345-00040-20	SCREW M3*8MM BUTTON SKT HD BLACK ZINC PHOS front panel
065-00010-08	BEAD FERRITE 4S3 3*0.7*10MM RED [L429,L302,L423]	349-00020-32	SCREW TAPTITE M3X8MM PAN POZI BZ [PCB mounting x8, 'N' connector x4]
065-00010-13	BEAD FERRITE 7D 1.9*0.9*3.8MM STACK POLE	349-00020-43	SCREW TAPTITE M4X12MM PAN POZI BZ for &Q423 (heatsink bracket); top cover x14
201-00030-02	WIRE #1 T/C WIRE 7/0.2MM PVC RED 2x 30mm LEDS	349-00020-45	SCREW TAPTITE M4X20MM PAN POZI BZ bottom cover x14
201-00030-10	WIRE #1 T/C WIRE 7/0.2MM PVC BLACK 2x 35mm LEDS	352-00010-08	NUT M3 COLD FORM HEX ST BZ 'D' socket x4, Skt cover x4, VCO mtg x3
206-00010-11	CABLE COAX 50 OHM RG316-U PTFE 1x 140mm 1 x 90mm	352-00010-29	NUT M4 NYLOC HEX
206-00010-11	CABLE COAX 50 OHM RG316-U PTFE	352-00010-35	NUT 8-32 UNC HEX RF PWR XSTR MTG
220-01178-02	PCB T836TX T837EX	353-00010-10	WASHER M3 FLAT 7MM*0.6MM ST BZ FOR FLOAT PLATE
232-00020-26	BUTTON PUSH FOR 232-00010-26 SWITCH sw101	353-00010-11	WASHER M3 FLAT 9.5MM*0.9MM ST BZ For Final Carcassing Kit
240-00010-55	PLUG 15 WAY D RANGE WIRE WRAP PINS PNL MTG	353-00010-12	WASHER M3 SPRING BZ OR Z/C 'D' skt & cover
240-00100-43	PLUG COAX MINI PIN PLUG CRIMP 1.5D COAX	353-00010-13	WASHER M3 SHAKEPROOF INT BZ VCO mtg x3, D hole cover x2
240-02010-54	SKT 15WAY DRANGE PNL MTG 125 DEG C	353-00010-24	WASHER M4 FLAT ST BZ A4M1957 FOR &Q423 (HEATSINK BRACKET)
240-02100-06	SKT COAX N TYPE PNL MTG OPEN TERMN	362-00010-08	GASKET SIL INSULATING TO-5 TO-39 FOR Q301
240-04020-62	SKT 2 WAY RECEPTL SHORTING LINK	362-00010-23	GASKET SIL INSULATING TO-220 CLIP MTD
240-04020-65	SKT JACK PIN 1.3MM PCB MTG 64 WAY SIL STRAP FOR SK301 TO SK312	362-00010-33	GROMMET LED MTG 3MM LO CURRENT LEDS
303-11168-00	CHASSIS HSINK PNTD CMPLT A1M2364 800 SERIES	365-00011-53	LABEL WHITE RW2365/1 104*37MM SPECIAL ADHSV
303-23118-00	COVER A3M2247 D RANGE HOLE T855/7 'D' range connector	365-00100-20	LABEL WHITE S/A 28X11MM QUIKSTIK RW718/4 use label ref #414
303-50074-00	CLIP A3M2246 SPRING XSTR CLAMP T857	365-01391-01	(L)LABEL BLNK 30*10.8MM TAMPERMARK VOID MATT
303-50078-00	CLIP A4M2630 0.1MM SPRING WIRE CABLE CLAMP T8	399-00010-51	BAG PLASTIC 75*100MM
306-01010-00	FERRULE A4M948 HANDLE FXD EQUIP handle	400-00020-07	SLEEVEING 2MM SIL RUBBER
308-01007-00	HANDLE A4M949 FXD EQUIP	410-01081-00	CRTN T800 MODULE KIWI REF22860 PRD 402X192X6
308-13090-00	HSINK A4M2361 BRKT COPPER T856	410-01082-00	CRTN 10 T800 KIWI REF24417 423X410X360
312-01052-00	LID TOP PNTD COMPL A1M2364 800 SERIES		
312-01053-00	LID BOTTOM PNTD COMPL A1M2364 800 SERIES		
316-06410-01	PNL FRT COMPL T836 A3M2335/4 & 1		
316-85015-01	PIN A4M775 LOCATING D RANGE		
316-85099-00	PLATE FLOAT A2M2248 DUAL D RANGE SKT BOX		
316-85100-00	PLATE FRT A2M2249 DUAL D RANGE SKT BOX		
318-01014-00	RAIL A2M2214 FOR 800 SERIES FXD EQUIP		
319-01152-00	SHIELD A3M2250 F/THRU MTG T857		
345-00040-06	SCREW M3*8MM PAN POZI ST BZ skt box x2.		
345-00040-08	SCREW M3*12MM PAN POZI ST BZ 'D' range cover		
345-00040-09	SCREW M3*6MM CSK POZI TRUNCATED HEAD ST BZ rail mounting - pack with rails		
345-00040-10	SCREW M3*6MM PAN POZI ST BZ Rail x4, Float Plate x4.		

T837 Parts List (IPN 220-01178-02)

How To Use This Parts List

The components listed in this parts list are divided into two main types: those with a circuit reference (e.g. C2, D1, R121, etc) and those without (miscellaneous and mechanical).

Those with a circuit reference are grouped by component type in numerical order. Each component entry comprises three or four columns: the circuit reference, variant number (if applicable), IPN and description. A number in the variant column indicates that this component is fitted only to that variant.

The miscellaneous and mechanical section lists the variant and common parts in IPN order.

Parts List Amendments

There were no amendments to the parts list at the time of publication.

Ref	Var	IPN	Description	Ref	Var	IPN	Description
Note: The "&" character is used in this Parts List to indicate components used only in the T837 (&R367), or those components common to both T836 and T837 but with different values in each unit (&R425, &R426, &R427, &R428). (Refer to the table in the exciter/PA circuit diagram.)				C115		015-06100-08	CAP CER 1206 CHIP 100N 10% X7R 50V
				C118		015-06100-08	CAP CER 1206 CHIP 100N 10% X7R 50V
				C119		020-07470-91	CAP ELECT RADL 4M7 63V 6X11MM BI-POLAR
				C121		015-06100-08	CAP CER 1206 CHIP 100N 10% X7R 50V
				C123		015-23470-08	CAP CER 0805 CHIP 470P 10% X7R 50V
				C124		015-21470-01	CAP CER 0805 CHIP 4P7 +/-0.25P NPO 50V
				C126		015-06100-08	CAP CER 1206 CHIP 100N 10% X7R 50V
				C128		015-23470-08	CAP CER 0805 CHIP 470P 10% X7R 50V
				C129		020-08470-02	CAP ELECT RADL 47M 16V 6X11MM
				C133		015-24470-08	CAP CER 0805 CHIP 4N7 10% X7R 50V
C135		015-22470-01	CAP CER 0805 CHIP 47P 5% NPO 50V				
C137		020-08220-01	CAP ELECT RADL 22M 16V 5X11MM				
C139		015-06100-08	CAP CER 1206 CHIP 100N 10% X7R 50V				
C141		015-05470-08	CAP CER 1206 CHIP 47N 10% X7R 50V				
C145		015-06100-08	CAP CER 1206 CHIP 100N 10% X7R 50V				
C146		015-24100-08	CAP CER 0805 CHIP 1N 10% X7R 50V				
C147		020-07100-02	CAP ELECT RADL 1M 50V 5X11MM				
C148		015-05220-08	CAP CER 1206 CHIP 22N 10% X7R 50V				
C149		015-06100-08	CAP CER 1206 CHIP 100N 10% X7R 50V				
C150		020-08100-03	CAP ELECT RADL 10UF 50V 5X11MM				
C151		015-21470-01	CAP CER 0805 CHIP 4P7 +/-0.25P NPO 50V				
C152		020-09100-03	CAP ELECT RADL 100M 16V 8X11MM				
C153		015-24100-08	CAP CER 0805 CHIP 1N 10% X7R 50V				
C154		020-09100-03	CAP ELECT RADL 100M 16V 8X11MM				
C156		020-07470-91	CAP ELECT RADL 4M7 63V 6X11MM BI-POLAR				
*C157	10	015-21150-01	CAP CER 0805 CHIP 1P5 +/-0.25P NPO 5				
*C157	15	015-21470-01	CAP CER 0805 CHIP 4P7 +/-0.25P NPO 5				
*C157	20	015-21150-01	CAP CER 0805 CHIP 1P5 +/-0.25P NPO 5				
*C157	25	015-21470-01	CAP CER 0805 CHIP 4P7 +/-0.25P NPO 5				
C158		015-05470-08	CAP CER 1206 CHIP 47N 10% X7R 50V				
C160		015-05470-08	CAP CER 1206 CHIP 47N 10% X7R 50V				
C161		015-24100-08	CAP CER 0805 CHIP 1N 10% X7R 50V				
C162		020-07470-91	CAP ELECT RADL 4M7 63V 6X11MM BI-POLAR				
C163		020-07470-91	CAP ELECT RADL 4M7 63V 6X11MM BI-POLAR				
C164		015-23470-08	CAP CER 0805 CHIP 470P 10% X7R 50V				
C166		015-05470-08	CAP CER 1206 CHIP 47N 10% X7R 50V				
C209		020-08100-03	CAP ELECT RADL 10UF 50V 5X11MM				
C212		015-06100-08	CAP CER 1206 CHIP 100N 10% X7R 50V				
C213		025-08100-02	CAP TANT BEAD 10M 10% 16V				
C214		015-06100-08	CAP CER 1206 CHIP 100N 10% X7R 50V				
C215		025-08100-02	CAP TANT BEAD 10M 10% 16V				
C216		015-06100-08	CAP CER 1206 CHIP 100N 10% X7R 50V				
C217		015-24100-08	CAP CER 0805 CHIP 1N 10% X7R 50V				
C218		015-24100-08	CAP CER 0805 CHIP 1N 10% X7R 50V				
C219		020-09470-07	CAP 470M 16V 20% ELEC VERT 8*20 3.5MM L				
C220		015-24470-08	CAP CER 0805 CHIP 4N7 10% X7R 50V				
C221		015-24100-08	CAP CER 0805 CHIP 1N 10% X7R 50V				
C222		020-09100-03	CAP ELECT RADL 100M 16V 8X11MM				
C223		020-07220-01	CAP ELECT RADL 2M2 50V 5X11MM				
C224		025-07330-01	CAP TANT BEAD 3M3 35V				
C225		015-24470-08	CAP CER 0805 CHIP 4N7 10% X7R 50V				
C226		020-07100-02	CAP ELECT RADL 1M 50V 5X11MM				
C227		020-08100-03	CAP ELECT RADL 10UF 50V 5X11MM				
C228		015-24100-08	CAP CER 0805 CHIP 1N 10% X7R 50V				
C229		015-24100-08	CAP CER 0805 CHIP 1N 10% X7R 50V				
C230		015-24100-08	CAP CER 0805 CHIP 1N 10% X7R 50V				
C231		015-24100-08	CAP CER 0805 CHIP 1N 10% X7R 50V				
C232		015-06100-08	CAP CER 1206 CHIP 100N 10% X7R 50V				
C233		015-06100-08	CAP CER 1206 CHIP 100N 10% X7R 50V				
C1		015-06100-08	CAP CER 1206 CHIP 100N 10% X7R 50V				
C2		015-23680-08	CAP CER 0805 CHIP 680P 10% X7R 50V				
C3		015-06100-08	CAP CER 1206 CHIP 100N 10% X7R 50V				
C5		015-23680-08	CAP CER 0805 CHIP 680P 10% X7R 50V				
C6		015-24100-08	CAP CER 0805 CHIP 1N 10% X7R 50V				
C8		015-23680-08	CAP CER 0805 CHIP 680P 10% X7R 50V				
C9		015-23680-08	CAP CER 0805 CHIP 680P 10% X7R 50V				
C10		015-23680-08	CAP CER 0805 CHIP 680P 10% X7R 50V				
C11		015-23680-08	CAP CER 0805 CHIP 680P 10% X7R 50V				
C12		015-23680-08	CAP CER 0805 CHIP 680P 10% X7R 50V				
C13		015-06100-08	CAP CER 1206 CHIP 100N 10% X7R 50V				
C15		020-08100-03	CAP ELECT RADL 10UF 50V 5X11MM				
C16		015-06100-08	CAP CER 1206 CHIP 100N 10% X7R 50V				
C17		015-22560-01	CAP CER 0805 CHIP 56P 5% NPO 50V				
C19		015-23680-08	CAP CER 0805 CHIP 680P 10% X7R 50V				
C20		015-23470-08	CAP CER 0805 CHIP 470P 10% X7R 50V				
C21		015-24100-08	CAP CER 0805 CHIP 1N 10% X7R 50V				
C25		025-08100-02	CAP TANT BEAD 10M 10% 16V				
C26		015-25100-08	CAP CER 0805 CHIP 10N 10% X7R 50V				
C29		022-06330-03	CAP METAL POLYES 330N 10% 50V 5MM L/S				
C30		020-08100-03	CAP ELECT RADL 10UF 50V 5X11MM				
C33		015-06100-08	CAP CER 1206 CHIP 100N 10% X7R 50V				
C34		020-08100-03	CAP ELECT RADL 10UF 50V 5X11MM				
C35		020-08100-03	CAP ELECT RADL 10UF 50V 5X11MM				
C36		015-06100-08	CAP CER 1206 CHIP 100N 10% X7R 50V				
C39		015-06100-08	CAP CER 1206 CHIP 100N 10% X7R 50V				
C40		015-21820-01	CAP CER 0805 CHIP 8P2 +/-0.25P NPO 50V				
C42		015-25150-08	CAP CER 0805 CHIP 15N 10% X7R 50V				
C43		015-25100-08	CAP CER 0805 CHIP 10N 10% X7R 50V				
C44		015-23220-01	CAP CER 0805 CHIP 220P 5% NPO 50V				
C45		015-24470-08	CAP CER 0805 CHIP 4N7 10% X7R 50V				
C46		015-06100-08	CAP CER 1206 CHIP 100N 10% X7R 50V				
C47		020-08470-02	CAP ELECT RADL 47M 16V 6X11MM				
C48		015-23220-01	CAP CER 0805 CHIP 220P 5% NPO 50V				
C101		020-08100-03	CAP ELECT RADL 10UF 50V 5X11MM				
C102		020-07470-91	CAP ELECT RADL 4M7 63V 6X11MM BI-POLAR				
C103		020-07470-91	CAP ELECT RADL 4M7 63V 6X11MM BI-POLAR				
C104		015-24100-08	CAP CER 0805 CHIP 1N 10% X7R 50V				
C105		015-24100-08	CAP CER 0805 CHIP 1N 10% X7R 50V				
C106		015-24220-08	CAP CER 0805 CHIP 2N2 10% X7R 50V				
C107		020-08220-01	CAP ELECT RADL 22M 16V 5X11MM				
C108		015-24100-08	CAP CER 0805 CHIP 1N 10% X7R 50V				
C109		015-24100-08	CAP CER 0805 CHIP 1N 10% X7R 50V				
C110		015-24100-08	CAP CER 0805 CHIP 1N 10% X7R 50V				
C111		015-22470-01	CAP CER 0805 CHIP 47P 5% NPO 50V				
C112		020-08220-01	CAP ELECT RADL 22M 16V 5X11MM				
C113		015-25100-08	CAP CER 0805 CHIP 10N 10% X7R 50V				

Ref	Var	IPN	Description	Ref	Var	IPN	Description
C300		015-24470-08	CAP CER 0805 CHIP 4N7 10% X7R 50V	Q209		000-00011-30	(S) XSTR BC557B PNP AF SML SIG TO92
C303		015-24100-08	CAP CER 0805 CHIP 1N 10% X7R 50V	Q210		000-00012-15	(S) XSTR BD234 PNP AF PWR TO126
C308		015-24100-08	CAP CER 0805 CHIP 1N 10% X7R 50V	Q211		000-10008-07	(S) XSTR SMD BC807 PNP SOT-23 AF LO PWR
C313		015-04100-04	CAP CER 1206 CHIP 1N 10% X7R 50V	Q212		000-10008-57	(S) XSTR SMD BCW70 PNP SOT23 AF SML SIG
C317		015-22820-01	CAP CER 0805 CHIP 82P 5% NPO 50V	Q300		000-00031-96	(S) XSTR 3866 NPN TO-92 SW. MOT ONLY
C319		015-22470-01	CAP CER 0805 CHIP 47P 5% NPO 50V	Q301		000-00022-30	(S) XSTR 2N4427 NPN TO-39 VHF PWR DRIVE
C322		015-21820-01	CAP CER 0805 CHIP 8P2 +/-0.25P NPO 50V	Q350		000-10008-48	(S) XSTR SMD BCW60/BC848B215 NPN SOT23
C330		015-06100-08	CAP CER 1206 CHIP 100N 10% X7R 50V	Q351		000-10008-17	(S) XSTR SMD BC817-25 NPN SOT-23 AF LO
C335		015-22330-01	CAP CER 0805 CHIP 33P 5% NPO 50V	Q352		000-00012-15	(S) XSTR BD234 PNP AF PWR TO126
C350		015-24100-08	CAP CER 0805 CHIP 1N 10% X7R 50V				
C351		015-24100-08	CAP CER 0805 CHIP 1N 10% X7R 50V	R1		036-12100-00	RES M/F 0805 CHIP 10E 5%
C352		022-05470-01	CAP MYLAR 47N 10% 50V	R2		036-12220-00	RES M/F 0805 CHIP 22E 5%
C355		015-24100-08	CAP CER 0805 CHIP 1N 10% X7R 50V	R3		036-17100-00	RES M/F 0805 CHIP 1M 5%
C356		015-24100-08	CAP CER 0805 CHIP 1N 10% X7R 50V	R5		036-14100-00	RES M/F 0805 CHIP 1K 5%
C357		015-25100-08	CAP CER 0805 CHIP 10N 10% X7R 50V	R6		036-17100-00	RES M/F 0805 CHIP 1M 5%
C358		015-24100-08	CAP CER 0805 CHIP 1N 10% X7R 50V	R7		036-14330-00	RES M/F 0805 CHIP 3K3 5%
C359		015-24100-08	CAP CER 0805 CHIP 1N 10% X7R 50V	R8		036-13100-00	RES M/F 0805 CHIP 100E 5%
C360		015-24100-08	CAP CER 0805 CHIP 1N 10% X7R 50V	R9		036-12680-00	RES M/F 0805 CHIP 68E 5%
C361		015-24100-08	CAP CER 0805 CHIP 1N 10% X7R 50V	R10		036-13220-00	RES M/F 0805 CHIP 220E 5%
C362		015-24470-08	CAP CER 0805 CHIP 4N7 10% X7R 50V	R11		036-17100-00	RES M/F 0805 CHIP 1M 5%
C363		015-24100-08	CAP CER 0805 CHIP 1N 10% X7R 50V	R14		036-17100-00	RES M/F 0805 CHIP 1M 5%
C364		015-24100-08	CAP CER 0805 CHIP 1N 10% X7R 50V	R16		036-17100-00	RES M/F 0805 CHIP 1M 5%
C366		020-07470-04	CAP ELECT RADL 4M7 25V 20% 8X13MM SOLID	R18		036-12100-00	RES M/F 0805 CHIP 10E 5%
C367		015-24100-08	CAP CER 0805 CHIP 1N 10% X7R 50V	R19		036-17100-00	RES M/F 0805 CHIP 1M 5%
C370		015-24100-08	CAP CER 0805 CHIP 1N 10% X7R 50V	R20		036-17100-00	RES M/F 0805 CHIP 1M 5%
C371		025-08100-02	CAP TANT BEAD 10M 10% 16V	R21		036-12100-00	RES M/F 0805 CHIP 10E 5%
C373		025-08100-02	CAP TANT BEAD 10M 10% 16V	R22		036-12220-00	RES M/F 0805 CHIP 22E 5%
				R24		036-12220-00	RES M/F 0805 CHIP 22E 5%
D4		001-10000-70	(S) DIODE SMD BAV70 DUAL SWITCH SOT-23 CO	R25		036-15220-00	RES M/F 0805 CHIP 22K 5%
D5		001-10000-99	(S) DIODE SMD BAV99 DUAL SWITCH SNGLE INLI	R29		036-17100-00	RES M/F 0805 CHIP 1M 5%
D6		001-10000-99	(S) DIODE SMD BAV99 DUAL SWITCH SNGLE INLI	R30		036-13220-00	RES M/F 0805 CHIP 220E 5%
D100		001-10000-56	(S) DIODE SMD BAW56 DUAL SWITCH SOT-23	R32		036-14100-00	RES M/F 0805 CHIP 1K 5%
D101		001-10000-99	(S) DIODE SMD BAV99 DUAL SWITCH SNGLE IN	R35		036-15100-00	RES M/F 0805 CHIP 10K 5%
D102		001-10000-56	(S) DIODE SMD BAW56 DUAL SWITCH SOT-23	R36		036-16470-00	RES M/F 0805 CHIP 470K 5%
D103		001-10000-56	(S) DIODE SMD BAW56 DUAL SWITCH SOT-23	R37		036-15120-00	RES M/F 0805 CHIP 12K 5%
D104		001-10000-99	(S) DIODE SMD BAV99 DUAL SWITCH SNGLE IN	R38		036-15100-00	RES M/F 0805 CHIP 10K 5%
D106		001-00015-29	(S) DIODE ZENER 33V 0.4W BZX79/C33	R39		036-16470-00	RES M/F 0805 CHIP 470K 5%
D204		001-10000-70	(S) DIODE SMD BAV70 DUAL SWITCH SOT-23	R40		036-16470-00	RES M/F 0805 CHIP 470K 5%
D205		001-10000-70	(S) DIODE SMD BAV70 DUAL SWITCH SOT-23	R42		036-14560-00	RES M/F 0805 CHIP 5K6 5%
D206		001-10000-99	(S) DIODE SMD BAV99 DUAL SWITCH SNGLE IN	R43		036-12220-00	RES M/F 0805 CHIP 22E 5%
D207		001-10000-70	(S) DIODE SMD BAV70 DUAL SWITCH SOT-23	R46		036-13680-00	RES M/F 0805 CHIP 680E 5%
D208		001-10000-70	(S) DIODE SMD BAV70 DUAL SWITCH SOT-23	R47		036-14100-00	RES M/F 0805 CHIP 1K 5%
D209		001-10000-70	(S) DIODE SMD BAV70 DUAL SWITCH SOT-23	R48		036-14470-00	RES M/F 0805 CHIP 4K7 5%
D210		001-00015-17	(S) DIODE ZENER 9V1 0.4W BZX79/C9V1	R49		036-14470-00	RES M/F 0805 CHIP 4K7 5%
D211		001-10000-70	(S) DIODE SMD BAV70 DUAL SWITCH SOT-23	R50		036-15100-00	RES M/F 0805 CHIP 10K 5%
D212		001-00011-60	(S) DIODE SR2607 6A/30V	R51		036-15100-00	RES M/F 0805 CHIP 10K 5%
D351		001-00015-69	(S) DIODE ZENER 11V 0.5W LO CURRENT HZ1	R52		036-15100-00	RES M/F 0805 CHIP 10K 5%
				R54		036-14100-00	RES M/F 0805 CHIP 1K 5%
IC1		539-00010-41	TCXO 12.8MHZ +/-2.5PPM -30 TO +70C NDK NS	R55		036-13100-00	RES M/F 0805 CHIP 100E 5%
IC3		002-00017-51	(S) IC SP8793 DUAL MOD PRESC 40/41	R56		036-17100-00	RES M/F 0805 CHIP 1M 5%
IC4		002-74045-20	(S) IC 74HC4520 DUAL 4BIT SYNCRO CNTR	R57		036-15100-00	RES M/F 0805 CHIP 10K 5%
IC5		002-00017-63	(S) IC NJ8820DP FREQ SYNTHESIZER	R58		036-15100-00	RES M/F 0805 CHIP 10K 5%
IC6		002-00012-47	(S) IC MC33078 DUAL OP AMP LO NOISE	R59		036-14270-00	RES M/F 0805 CHIP 2K7 5%
IC7		002-74000-04	(S) IC 74HCU04 UNBUFF HEX INVERTER	R60		036-15560-00	RES M/F 0805 CHIP 56K 5%
IC100		002-00020-50	(S) IC 4N25A OPTOCOUPLER	R61		036-15100-00	RES M/F 0805 CHIP 10K 5%
IC101		002-00015-30	(S) IC 4053B 2CHAN MUX/DEMUX	R62		036-15100-00	RES M/F 0805 CHIP 10K 5%
IC102		002-00014-40	(S) IC 324 QUAD OP AMP	R64		036-15150-00	RES M/F 0805 CHIP 15K 5%
IC103		002-00012-25	(S) IC TL084 QUAD OP AMP JFET I/P	R65		036-16100-00	RES M/F 0805 CHIP 100K 5%
IC104		002-00012-40	(S) IC 358 DUAL OP AMP	R67		036-14270-00	RES M/F 0805 CHIP 2K7 5%
IC201		002-00014-62	(S) IC 317L 100MA REG 3 TERMINAL TO-92	R68		036-15560-00	RES M/F 0805 CHIP 56K 5%
IC202		002-00014-40	(S) IC 324 QUAD OP AMP	R72		036-15150-00	RES M/F 0805 CHIP 15K 5%
IC350		002-00012-40	(S) IC 358 DUAL OP AMP	R73		036-13330-00	RES M/F 0805 CHIP 330E 5%
				R74		036-12100-00	RES M/F 0805 CHIP 10E 5%
L1		052-08160-25	COIL A/W 2.5T/6.0MM HOR 0.8MM WIRE	R75		036-12100-00	RES M/F 0805 CHIP 10E 5%
L300		052-08125-15	COIL A/W 1.5T/2.5MM HOR 0.8MM WIRE	RV100		040-05100-23	POT 10K LOG VERT PCB MTG 15MM SLOT SHA
L303		065-00010-04	BEAD FERRITE F8 4X2X5MM	R100		036-13100-00	RES M/F 0805 CHIP 100E 5%
L308		056-00021-01	IND FXD 1.5UH AXIAL	R101		036-15100-00	RES M/F 0805 CHIP 10K 5%
L309		052-08145-35	COIL A/W 3.5/4.5MM HOR 0.8MM WIRE	R102		036-13470-00	RES M/F 0805 CHIP 470E 5%
L310		056-00021-01	IND FXD 1.5UH AXIAL	R103		036-13560-00	RES M/F 0805 CHIP 560E 5%
L311		052-08135-25	COIL A/W 2.5T/3.5MM HOR 0.8MM WIRE	RV104		042-05470-06	RES PRESET 47K CARBON 6MM FLAT TOP ADJ
L312		052-08140-35	COIL A/W 3.5T/4.0MM HOR 0.8MM WIRE	R104		036-13560-00	RES M/F 0805 CHIP 560E 5%
L313		052-08130-15	COIL A/W 1.5T/3.0MM HOR 0.8MM WIRE	RV105		042-06100-06	RES PRESET 100K CARBON 6MM FLAT
L314		056-00021-01	IND FXD 1.5UH AXIAL	R105		036-15100-00	RES M/F 0805 CHIP 10K 5%
				RV106		042-04470-06	RES PRESET 4K7 CARBON 6MM FLAT
LED1		008-00013-32	(S) LED 3MM RED LO CURRENT NO MTG	R106		036-14220-00	RES M/F 0805 CHIP 2K2 5%
LED2		008-00013-35	(S) LED 3MM GREEN LO CURRENT NO MTG	R107		036-15100-00	RES M/F 0805 CHIP 10K 5%
				R108		036-14100-00	RES M/F 0805 CHIP 1K 5%
PL1		240-00020-57	HEADER 10WAY 1 ROW PCB MTG	R109		036-14390-00	RES M/F 0805 CHIP 3K9 5%
PL100		240-00020-67	HEADER 6WAY 2X3 PCB MTG STD	R110		036-15100-00	RES M/F 0805 CHIP 10K 5%
PL101		240-00020-67	HEADER 6WAY 2X3 PCB MTG STD	R111		036-16390-00	RES M/F 0805 CHIP 390K 5%
PL102		240-00020-44	HEADER 10WAY 2ROW STRAIGHT PCB MTG (5*	R112		036-16100-00	RES M/F 0805 CHIP 100K 5%
PL103		240-00020-67	HEADER 6WAY 2X3 PCB MTG STD	R113		036-16100-00	RES M/F 0805 CHIP 100K 5%
				R115		036-15100-00	RES M/F 0805 CHIP 10K 5%
Q1		000-10057-10	(S) XSTR SMD MMBR571 NPN SOT-23 UHF LO PW	R116		036-16100-00	RES M/F 0805 CHIP 100K 5%
Q5		000-10008-48	(S) XSTR SMD BCW60/BC848B215 NPN SOT23 AF	R117		036-15100-00	RES M/F 0805 CHIP 10K 5%
Q6		000-10008-57	(S) XSTR SMD BCW70 PNP SOT23 AF SML SIG	R118		036-13560-00	RES M/F 0805 CHIP 560E 5%
Q7		000-10008-48	(S) XSTR SMD BCW60/BC848B215 NPN SOT23 AF	R119		036-16100-00	RES M/F 0805 CHIP 100K 5%
Q8		000-10008-48	(S) XSTR SMD BCW60/BC848B215 NPN SOT23 AF	R120		036-16100-00	RES M/F 0805 CHIP 100K 5%
Q9		000-10008-57	(S) XSTR SMD BCW70 PNP SOT23 AF SML SIG	R121		036-16100-00	RES M/F 0805 CHIP 100K 5%
Q10		000-10008-48	(S) XSTR SMD BCW60/BC848B215 NPN SOT23 A	R122		036-15120-00	RES M/F 0805 CHIP 12K 5%
Q11		000-10008-57	(S) XSTR SMD BCW70 PNP SOT23 AF SML SIG	R123		036-15120-00	RES M/F 0805 CHIP 12K 5%
Q101		000-10008-48	(S) XSTR SMD BCW60/BC848B215 NPN SOT23 A	R124		036-14270-00	RES M/F 0805 CHIP 2K7 5%
Q102		000-10008-57	(S) XSTR SMD BCW70 PNP SOT23 AF SML SIG	R127		036-16100-00	RES M/F 0805 CHIP 100K 5%
Q103		000-10008-17	(S) XSTR SMD BC817-25 NPN SOT-23 AF LO	R128		036-16100-00	RES M/F 0805 CHIP 100K 5%
Q104		000-10008-48	(S) XSTR SMD BCW60/BC848B215 NPN SOT23	R131		036-17100-00	RES M/F 0805 CHIP 1M 5%
Q105		000-10008-17	(S) XSTR SMD BC817-25 NPN SOT-23 AF LO	R136		036-15100-00	RES M/F 0805 CHIP 10K 5%
Q106		000-00011-91	(S) XSTR BD139 NPN AF PWR TO126	R141		036-16150-00	RES M/F 0805 CHIP 150K 5%
Q208		000-10008-17	(S) XSTR SMD BC817-25 NPN SOT-23 AF LO	R143		036-14220-00	RES M/F 0805 CHIP 2K2 5%

Ref	Var	IPN	Description	Ref	Var	IPN	Description
R146		036-15220-00	RES M/F 0805 CHIP 22K 5%	R353		036-14470-00	RES M/F 0805 CHIP 4K7 5%
R147		036-15470-00	RES M/F 0805 CHIP 47K 5%	R354		036-16220-00	RES M/F 0805 CHIP 220K 5%
R148		036-16150-00	RES M/F 0805 CHIP 150K 5%	R357		036-14220-00	RES M/F 0805 CHIP 2K2 5%
R149		036-15470-00	RES M/F 0805 CHIP 47K 5%	R358		036-14220-00	RES M/F 0805 CHIP 2K2 5%
R150		036-15470-00	RES M/F 0805 CHIP 47K 5%	R359		036-14100-00	RES M/F 0805 CHIP 1K 5%
R151		036-14470-00	RES M/F 0805 CHIP 4K7 5%	R360		036-13100-00	RES M/F 0805 CHIP 100E 5%
*R152	10	036-15220-00	RES M/F 0805 CHIP 22K 5%	R361		036-15150-00	RES M/F 0805 CHIP 15K 5%
*R152	15	036-15270-00	RES M/F 0805 CHIP 27K 5%	R362		036-14470-00	RES M/F 0805 CHIP 4K7 5%
*R152	20	036-15220-00	RES M/F 0805 CHIP 22K 5%	R363		036-13220-00	RES M/F 0805 CHIP 220E 5%
*R152	25	036-15270-00	RES M/F 0805 CHIP 27K 5%	R364		036-11330-00	RES M/F 0805 CHIP 3E3 5%
R155		036-15100-00	RES M/F 0805 CHIP 10K 5%	R365		036-13390-00	RES M/F 0805 CHIP 390E 5%
R159		036-14220-00	RES M/F 0805 CHIP 2K2 5%	R366		036-13390-00	RES M/F 0805 CHIP 390E 5%
R162		036-13680-00	RES M/F 0805 CHIP 680E 5%	&R367		036-15470-00	RES M/F 0805 CHIP 47K 5%
R163		036-14100-00	RES M/F 0805 CHIP 1K 5%	R417		036-16470-00	RES M/F 0805 CHIP 470K 5%
R164		036-13680-00	RES M/F 0805 CHIP 680E 5%	R420		036-12100-00	RES M/F 0805 CHIP 10E 5%
R166		036-17100-00	RES M/F 0805 CHIP 1M 5%	R421		036-15150-00	RES M/F 0805 CHIP 15K 5%
R167		036-14680-00	RES M/F 0805 CHIP 6K8 5%	R422		030-53220-20	RES FILM AI 220E 5% 0.4W 4X1.6MM
R168		036-17100-00	RES M/F 0805 CHIP 1M 5%	R423		030-53180-20	RES FILM AI 180E 5% 0.4W 4X1.6MM
R169		036-16120-00	RES M/F 0805 CHIP 120K 5%	R424		030-53560-20	RES FILM AI 560E 5% 0.4W 4X1.6MM
R170		036-15100-00	RES M/F 0805 CHIP 10K 5%	&R425		030-02120-20	RES FILM 12E 5% 0.4W 4X1.6MM
R171		036-14220-00	RES M/F 0805 CHIP 2K2 5%	&R426		030-02120-20	RES FILM 12E 5% 0.4W 4X1.6MM
R172		036-16470-00	RES M/F 0805 CHIP 470K 5%	&R427		030-53820-20	RES FILM AI 820E 5% 0.4W 4X1.6MM
R173		036-15100-00	RES M/F 0805 CHIP 10K 5%	&R428		030-53820-20	RES FILM AI 820E 5% 0.4W 4X1.6MM
R174		036-16330-00	RES M/F 0805 CHIP 330K 5%				
R175		036-14100-00	RES M/F 0805 CHIP 1K 5%	SK1		240-04020-57	SKT 10 WAY 1ROW PCB MTG TOP ENTRY
R176		036-16100-00	RES M/F 0805 CHIP 100K 5%	SK100		240-02020-05	SKT STEREO PHONE JACK PCB MTG
R177		036-16100-00	RES M/F 0805 CHIP 100K 5%	SK300		240-02100-44	SKT COAX MINI JACK PCB MTG ANGLED
R178		036-15560-00	RES M/F 0805 CHIP 56K 5%				
R179		036-15560-00	RES M/F 0805 CHIP 56K 5%	SW101		232-00010-26	SWITCH PUSH SPDT RT ANGLE PCB MTG NO B
R180		036-17100-00	RES M/F 0805 CHIP 1M 5%				
R181		036-14220-00	RES M/F 0805 CHIP 2K2 5%	T100		053-00010-17	XFMR T4030 LINE MATCH POTCORE
R182		036-14220-00	RES M/F 0805 CHIP 2K2 5%	T200		050-00016-50	COIL TAIT NO 650 455KHZ 5.6MM CAN
R183		036-14560-00	RES M/F 0805 CHIP 5K6 5%				
*R184	10	036-15150-00	RES M/F 0805 CHIP 15K 5%				
*R184	15	036-15180-00	RES M/F 0805 CHIP 18K 5%				
*R184	20	036-15150-00	RES M/F 0805 CHIP 15K 5%				
*R184	25	036-15180-00	RES M/F 0805 CHIP 18K 5%				
*R185	10	036-15470-00	RES M/F 0805 CHIP 47K 5%				
*R185	15	036-15560-00	RES M/F 0805 CHIP 56K 5%				
*R185	20	036-15470-00	RES M/F 0805 CHIP 47K 5%				
*R185	25	036-15560-00	RES M/F 0805 CHIP 56K 5%				
R186		036-15100-00	RES M/F 0805 CHIP 10K 5%				
R187		036-15560-00	RES M/F 0805 CHIP 56K 5%				
R188		036-17100-00	RES M/F 0805 CHIP 1M 5%				
R189		036-13560-00	RES M/F 0805 CHIP 560E 5%				
R190		036-14220-00	RES M/F 0805 CHIP 2K2 5%				
R192		036-14270-00	RES M/F 0805 CHIP 2K7 5%				
R194		036-15470-00	RES M/F 0805 CHIP 47K 5%				
R195		036-14470-00	RES M/F 0805 CHIP 4K7 5%				
R196		036-14470-00	RES M/F 0805 CHIP 4K7 5%				
R197		036-14270-00	RES M/F 0805 CHIP 2K7 5%				
RV201		042-07100-06	RES PRESET 1M CARBON 6MM FLAT				
RV202		042-07100-06	RES PRESET 1M CARBON 6MM FLAT				
R224		036-13100-00	RES M/F 0805 CHIP 100E 5%				
R227		036-12100-00	RES M/F 0805 CHIP 10E 5%				
R228		036-12330-00	RES M/F 0805 CHIP 33E 5%				
R229		036-12330-00	RES M/F 0805 CHIP 33E 5%				
R230		036-14470-00	RES M/F 0805 CHIP 4K7 5%				
R231		036-14100-00	RES M/F 0805 CHIP 1K 5%				
R232		032-33270-00	RES M/F PWR 270E 5% 1W 12X4.5MM				
R233		032-31100-00	RES M/F PWR 1E0 5% 1W 12X4.5MM				
R234		032-31100-00	RES M/F PWR 1E0 5% 1W 12X4.5MM				
R235		036-14680-00	RES M/F 0805 CHIP 6K8 5%				
R236		036-15100-00	RES M/F 0805 CHIP 10K 5%				
R237		036-15100-00	RES M/F 0805 CHIP 10K 5%				
R238		036-16100-00	RES M/F 0805 CHIP 100K 5%				
R239		036-16100-00	RES M/F 0805 CHIP 100K 5%				
R240		036-15470-00	RES M/F 0805 CHIP 47K 5%				
R241		036-16470-00	RES M/F 0805 CHIP 470K 5%				
R242		036-14100-00	RES M/F 0805 CHIP 1K 5%				
R243		036-16100-00	RES M/F 0805 CHIP 100K 5%				
R244		036-16100-00	RES M/F 0805 CHIP 100K 5%				
R245		036-14150-00	RES M/F 0805 CHIP 1K5 5%				
R246		036-15470-00	RES M/F 0805 CHIP 47K 5%				
R247		036-16330-00	RES M/F 0805 CHIP 330K 5%				
R248		036-16120-00	RES M/F 0805 CHIP 120K 5%				
R249		036-16330-00	RES M/F 0805 CHIP 330K 5%				
R250		036-14100-00	RES M/F 0805 CHIP 1K 5%				
R251		036-13560-00	RES M/F 0805 CHIP 560E 5%				
R252		036-16100-00	RES M/F 0805 CHIP 100K 5%				
R253		036-15150-00	RES M/F 0805 CHIP 15K 5%				
R254		036-15560-00	RES M/F 0805 CHIP 56K 5%				
R255		036-15100-00	RES M/F 0805 CHIP 10K 5%				
R256		036-15100-00	RES M/F 0805 CHIP 10K 5%				
R257		036-10000-00	RES M/F 0805 CHIP ZERO OHM				
R258		036-15100-00	RES M/F 0805 CHIP 10K 5%				
R259		036-14150-00	RES M/F 0805 CHIP 1K5 5%				
R260		036-13470-00	RES M/F 0805 CHIP 470E 5%				
R300		030-53150-20	RES FILM AI 150E 5% 0.4W 4X1.6MM				
R301		030-52390-20	RES FILM AI 39E 5% 0.4W 4X1.6MM				
R302		030-53150-20	RES FILM AI 150E 5% 0.4W 4X1.6MM				
R303		036-13330-00	RES M/F 0805 CHIP 330E 5%				
R304		036-12560-00	RES M/F 0805 CHIP 56E 5%				
R305		030-53560-20	RES FILM AI 560E 5% 0.4W 4X1.6MM				
R306		036-12470-00	RES M/F 0805 CHIP 47E 5%				
R313		036-14100-00	RES M/F 0805 CHIP 1K 5%				
R350		036-15100-00	RES M/F 0805 CHIP 10K 5%				
R352		036-14100-00	RES M/F 0805 CHIP 1K 5%				

T837 Mechanical & Miscellaneous Parts (220-01178-02)

IPN	Description	IPN	Description
012-04150-01	CAP CER F/THRU 1N5 NO LEAD (C1-C15)	345-00040-11	SCREW M3X10MM PAN POZI ST BZ For Final Carcassing Kit
051-00006-02	SOLDER SPRING 1.3MM A4M1877	345-00040-20	SCREW M3*8MM BUTTON SKT HD BLACK ZINC PHOS front panel
065-00010-08	BEAD FERRITE 4S3 3*0.7*10MM RED [L302]	349-00020-32	SCREW TAPTITE M3X8MM PAN POZI BZ PCB mounting x8, 'N' hole cover x4.
065-00010-13	BEAD FERRITE 7D 1.9*0.9*3.8MM STACK POLE	349-00020-43	SCREW TAPTITE M4X12MM PAN POZI BZ top cover x14
201-00030-02	WIRE #1 T/C WIRE 7/0.2MM PVC RED 2x 30mm LEDS	349-00020-45	SCREW TAPTITE M4X20MM PAN POZI BZ bottom cover x14
201-00030-10	WIRE #1 T/C WIRE 7/0.2MM PVC BLACK 2x 35mm LEDS	352-00010-08	NUT M3 COLD FORM HEX ST BZ 'D' socket x4, Skt cover x4, VCO mtg x3
206-00010-11	CABLE COAX 50 OHM RG316-U PTFE	352-00010-29	NUT M4 NYLOC HEX
220-01178-02	PCB T836TX T837EX	353-00010-10	WASHER M3 FLAT 7MM*0.6MM ST BZ FOR FLOAT PLATE
232-00020-26	BUTTON PUSH FOR 232-00010-26 SWITCH SW101	353-00010-11	WASHER M3 FLAT 9.5MM*0.9MM ST BZ For Final Carcassing Kit
240-00010-55	PLUG 15 WAY D RANGE WIRE WRAP PINS PNL MTG	353-00010-12	WASHER M3 SPRING BZ OR Z/C 'D' skt & cover
240-00100-43	PLUG COAX MINI PIN PLUG CRIMP 1.5D COAX	353-00010-13	WASHER M3 SHAKEPROOF INT BZ VCO mtg x3, D hole cover x2
240-00100-46	PLUG COAX PNL JACK SUHNER 24 SMC50-2-10C	362-00010-08	GASKET SIL INSULATING TO-5 TO-39 FOR Q301
240-02010-54	SKT 15WAY DRANGE PNL MTG 125 DEG C	362-00010-23	GASKET SIL INSULATING TO-220 CLIP MTD
240-02100-46	SKT COAX ELBOW SUHNER 16SMC50-2-10C	362-00010-33	GROMMET LED MTG 3MM LO CURRENT LEDS
240-04020-62	SKT 2 WAY RECEP TL SHORTING LINK	365-00011-53	LABEL WHITE RW2365/1 104*37MM SPECIAL ADHSV
240-04020-65	SKT JACK PIN 1.3MM PCB MTG 64 WAY SIL STRAP FOR SJ2,SJ3, SJ4-1 TO SJ4-5, SJ5-1 TO SJ5-5	365-00100-20	LABEL WHITE S/A 28X11MM QUIKSTIK RW718/4
303-11168-00	CHASSIS HSINK PNTD COMPLT A1M2364 800 SERIES	365-01391-01	(L)LABEL BLNK 30*10.8MM TAMPERMARK VOID MATT
303-23055-00	COVER PLATE A4M955 N CONN HOLE T857	399-00010-51	BAG PLASTIC 75*100MM
303-23118-00	COVER A3M2247 D RANGE HOLE T855/7 'D' range connector	400-00020-07	SLEEVING 2MM SIL RUBBER
303-50074-00	CLIP A3M2246 SPRING XSTR CLAMP T857	410-01081-00	CRTN T800 MODULE KIWI REF22860 PRTD 402X192X6
303-50078-00	CLIP A4M2630 0.1MM SPRING WIRE CABLE CLAMP T8	410-01082-00	CRTN 10 T800 KIWI REF24417 423X410X360
306-01010-00	FERRULE A4M948 HANDLE FXD EQUIP handle		
308-01007-00	HANDLE A4M949 FXD EQUIP		
312-01052-00	LID TOP PNTD COMPL A1M2364 800 SERIES		
312-01053-00	LID BOTTOM PNTD COMPL A1M2364 800 SERIES		
316-06409-01	PNL FRT COMPL T837 EX A3M2218/1 & 3		
316-80031-00	PAD A4M2155 PRESSURE T306		
316-85015-01	PIN A4M775 LOCATING D RANGE		
316-85099-00	PLATE FLOAT A2M2248 DUAL D RANGE SKT BOX		
316-85100-00	PLATE FRT A2M2249 DUAL D RANGE SKT BOX		
318-01014-00	RAIL A2M2214 FOR 800 SERIES FXD EQUIP		
319-01152-00	SHIELD A3M2250 F/THRU MTG T857		
345-00040-06	SCREW M3*8MM PAN POZI ST BZ		
345-00040-08	SCREW M3*12MM PAN POZI ST BZ 'D' range cover		
345-00040-09	SCREW M3*6MM CSK POZI TRUNCATED HEAD ST BZ rail mounting - pack with rails		
345-00040-10	SCREW M3*6MM PAN POZI ST BZ Rail x4, Float Plate x4.		

T836/837 Grid Reference Index (IPN 220-01186-02)

How To Use This Grid Reference Index

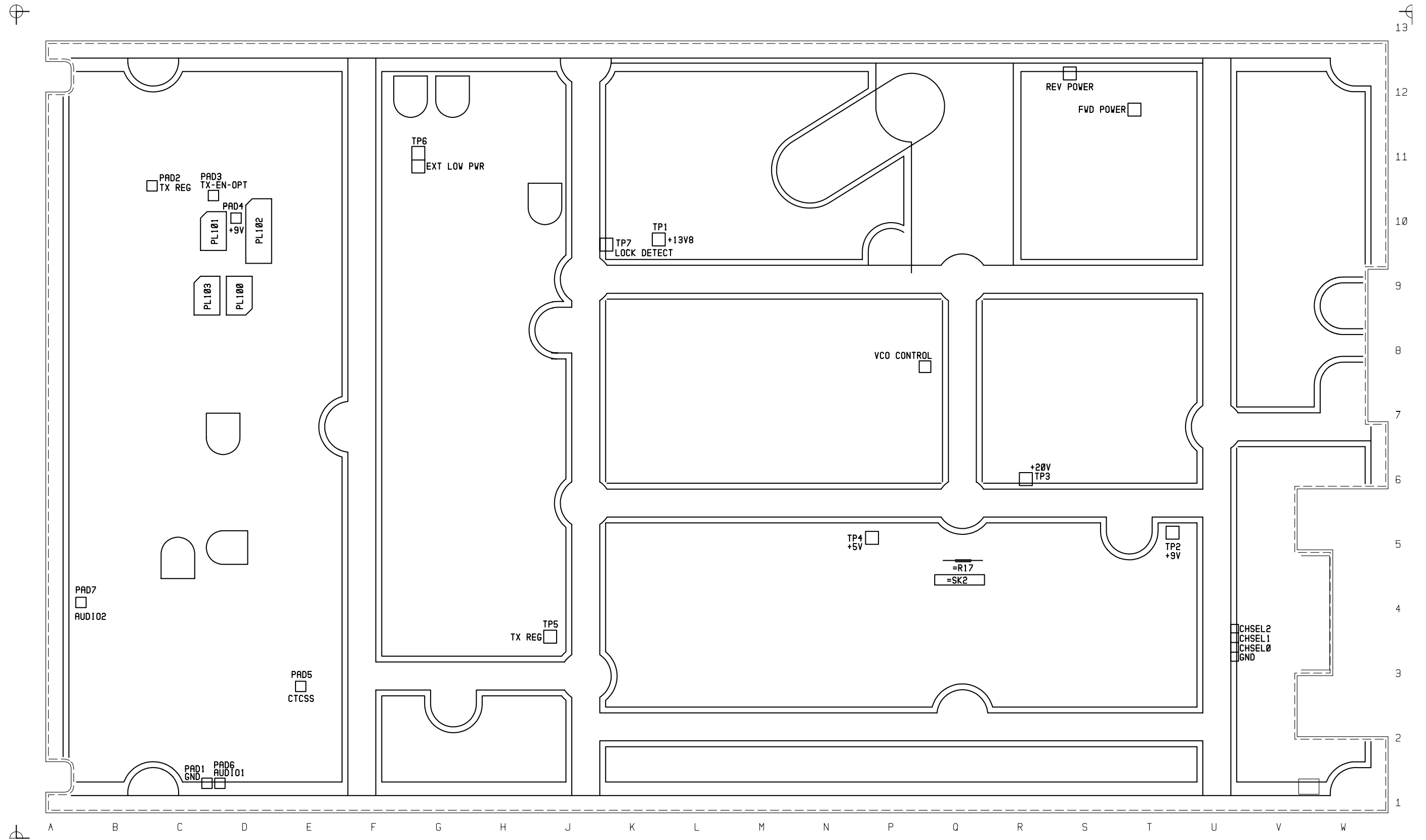
The first digit in the PCB layout reference is a "1" or "2", indicating the top or bottom side layout respectively, and the last two characters give the location of the component on that diagram.

The first digit in the circuit diagram reference is the sheet number, and the last two characters give the location of the component on that sheet.

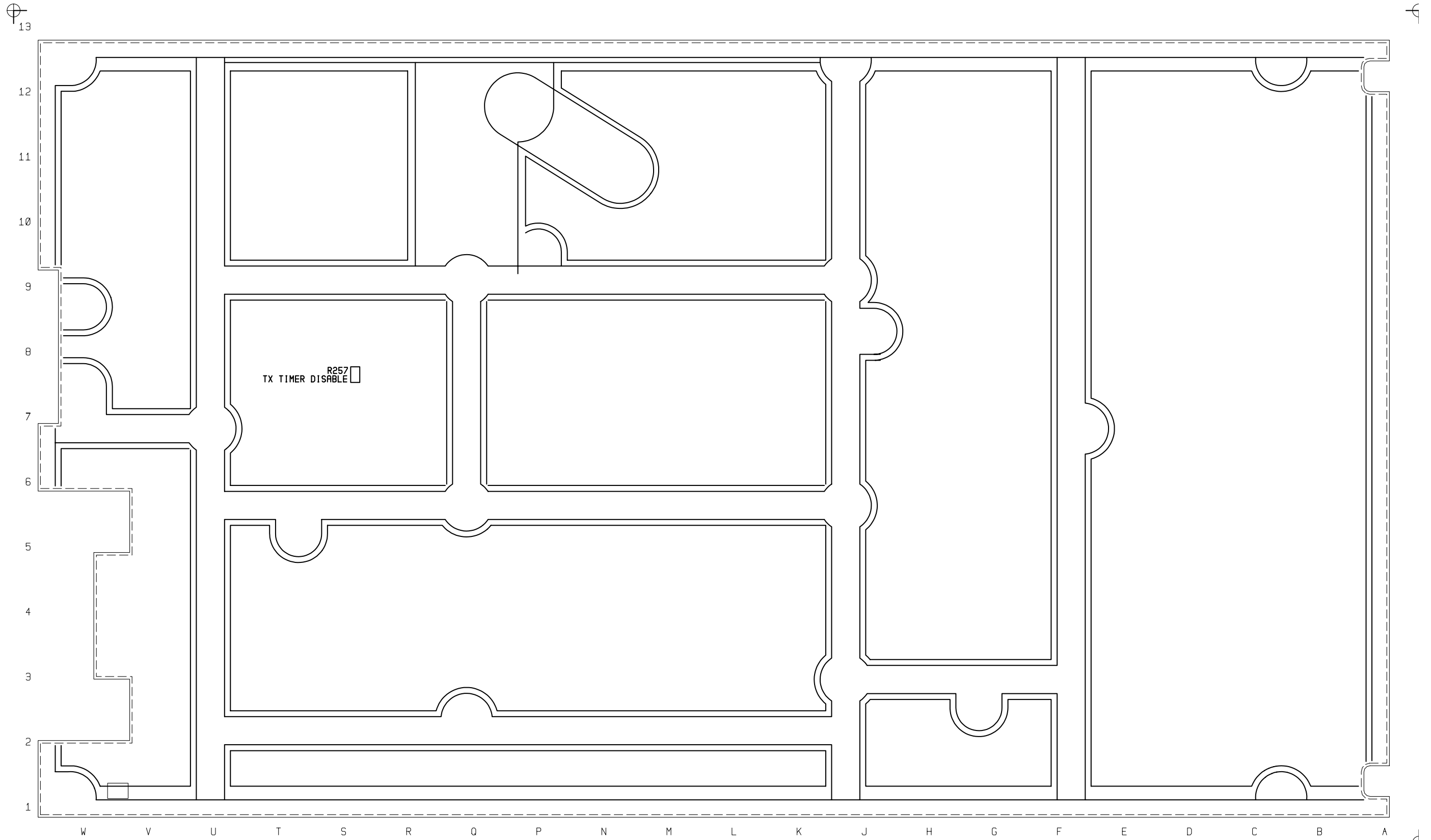
Device	PCB	Circuit	Device	PCB	Circuit	Device	PCB	Circuit	Device	PCB	Circuit
C1	2:R5	1-A8	C139	2:D5	2-H0	C358	2:H12	4-H8			2-L5
C2	2:K5	1-B4	C141	2:E4	2-R5	C359	2:H12	4-H7	D106	1:B12	2-R8
C3	2:L5	1-B5	C145	2:B9	2-C5	C360	2:J12	4-J7	D107	1:C4	2-B4
C5	2:L5	1-B5	C146	2:B6	2-F6	C361	2:H12	4-J8	D108	1:B4	2-C4
C6	2:Q4	1-B7	C147	1:B7	2-G4	C362	2:J11	4-H9	D204	2:R7	3-L7
C8	2:K5	1-C4	C148	2:C7	2-H2	C363	2:H10	4-F5			3-L6
C9	2:L5	1-C4	C149	2:C6	2-H5	C364	2:H6	4-J5	D205	2:V5	3-C6
C10	2:L4	1-D5	C150	1:B5	2-J6	C366	1:H9	4-P6			3-C6
C11	2:M4	1-E5	C151	2:E6	2-K2	C367	2:H7	4-M5	D206	2:U9	3-D4
C12	2:M5	1-E4	C152	1:D6	2-L2	C370	2:G6	4-M5			3-D5
C13	2:T4	1-E8	C153	2:C4	2-L6	C371	1:G10	4-C7	D207	2:S7	3-H3
C15	1:M5	1-G4	C154	1:D4	2-M1	&C372	2:G11	4-E5			3-J2
C16	2:M4	1-G4	C156	1:D4	2-N6	C373	1:J11	4-C8	D208	2:S8	3-L3
C17	2:M3	1-G2	*C157	2:E4	2-Q4	&CV400	1:S12	4-K1			3-L3
C19	2:P3	1-G2	C158	2:E6	2-R0	&C447	2:L11	4-B1	D209	2:S9	3-P2
C20	2:N3	1-H3	C160	2:C7	2-Q3	&C448	2:L11	4-C1			3-P2
C21	2:T3	1-F8	C161	2:D5	2-F1	&C449	2:N10	4-D3	D210	1:S8	3-L1
C25	1:P5	1-K5	C162	1:E2	2-A3	&C450	2:N10	4-D2	D211	2:S8	3-M1
C26	2:N5	1-K2	C163	1:D2	2-A3	&C451	2:P11	4-E1			3-M1
C29	1:N4	1-L5	C164	2:E4	2-D0	&C452	2:P11	4-E1	D212	1:V5	3-D7
C30	1:N5	1-L4	C166	2:E6	2-Q1	&C453	1:T10	4-F3	D351	1:H10	4-D8
C33	2:P8	1-M5	C209	1:R6	3-K6	&C454	2:U10	4-E3	&D410	1:S10	4-M1
C34	1:T4	1-P8	C212	2:R8	3-Q7	&C455	2:Q11	4-F1	&D411	1:U12	4-N2
C35	1:R5	1-D8	C213	1:R8	3-Q7	&C456	2:S10	4-G3	FWD-PWR	1:T12	4-L1
C36	2:R5	1-D8	C214	2:T6	3-A2	&C457	2:R10	4-G2	IC1	1:R5	1-B8
C39	2:Q7	1-P6	C215	1:S6	3-C2	&C458	2:R11	4-H1	IC3	1:M4	1-E4
C40	2:R4	1-C7	C216	2:T6	3-C3	&C459	2:R11	4-J1	IC4	1:T3	1-F7
C42	2:N4	1-L5	C217	2:V5	3-C5	&C460	2:S12	4-K1			1-G8
C43	2:R3	1-G6	C218	2:S7	3-H1	&C461	2:S11	4-L2	IC5	1:N4	1-F3
C44	2:R3	1-H8	C219	1:T8	3-F3	&C462	2:T12	4-L1	IC6	1:P4	1-K5
C45	2:P8	1-N5	C220	2:T8	3-F3	&C463	2:T10	4-M1			1-K3
C46	2:M5	1-D5	C221	2:T8	3-F3	&C464	2:S12	4-M3	IC7	1:T5	1-E8
C47	1:S4	1-G6	C222	1:S7	3-J3	&C465	2:T12	4-M3			1-D7
C48	2:R3	1-J7	C223	1:R8	3-N1	&C466	2:V11	4-N1			1-D7
C101	1:D8	2-B7	C224	1:R7	3-L6	&C467	2:V11	4-P1			1-K7
C102	1:B3	2-C3	C225	2:R7	3-N6	&C468	2:V10	4-P1			1-G7
C103	1:B4	2-C3	C226	1:R8	3-N6	&C469	2:V9	4-Q1			1-H7
C104	2:D11	2-C3	C227	1:R9	3-Q7	&C470	2:V8	4-R1			1-J7
C105	2:D8	2-C6	C228	2:R6	3-D3	&C471	2:M12	4-B6	IC100	1:E4	2-D1
C106	2:D8	2-C7	C229	2:T9	3-E4	&C472	2:N12	4-A6	IC101	1:C10	2-E4
C107	1:D8	2-C8	C230	2:R8	3-P7	&C473	2:R11	4-H2	IC102	1:C7	2-G5
C108	2:D11	2-D2	C231	2:T8	3-R2	&C475	1:T10	4-F3			2-K5
C109	2:C11	2-D3	C232	2:R6	3-K6	&C476	2:T10	4-M1			2-F1
C110	2:C11	2-D3	C233	2:R9	3-R7	&C477	2:T12	4-N2			2-H2
C111	2:D11	2-E2	C300	2:J11	4-C8	D4	2:N5	1-J3			2-G0
C112	1:D7	2-E6	C303	2:H9	4-P6			1-K3	IC103	1:D6	2-H0
C113	2:D9	2-E2	C308	2:H9	4-N6	D5	2:R4	1-J8			2-K2
C115	2:D9	2-F6	C313	2:G8	4-Q5			1-J8			2-N4
C118	2:C8	2-F7	C317	2:H6	4-K4	D6	2:Q4	1-K8			2-R4
C119	1:D9	2-G3	C319	2:G6	4-M4			1-K8			2-R1
C121	2:B6	2-G7	C322	2:G8	4-P4	D100	2:D11	2-C2	IC104	1:D8	2-N3
C123	2:B6	2-H7	C330	2:S7	3-C2			2-D2			2-R2
C124	2:C6	2-J1	C335	2:H6	4-J4	D101	2:C4	2-B1			2-M0
C126	2:B6	2-H0	C350	2:G11	4-C5			2-B1	IC201	1:T6	3-A2
C128	2:B6	2-J7	C351	2:G11	4-C5	D102	2:D4	2-B2	IC202	1:S6	3-C2
C129	1:B5	2-K7	C352	1:G9	4-N7			2-B2			3-H2
C133	2:E4	2-P4	C355	2:H11	4-F7	D103	2:D11	2-C3			3-K2
C135	2:E5	2-Q4	C356	2:H11	4-E8			2-D3			3-N1
C137	1:E7	2-Q1	C357	2:H10	4-F8	D104	2:B5	2-M5			3-G1

Device	PCB	Circuit	Device	PCB	Circuit	Device	PCB	Circuit	Device	PCB	Circuit
IC350	1:H10	4-D8			3-B9	R57	2:R4	1-H8	R182	2:B5	2-L5
		4-D5			3-B9	R58	2:R4	1-H7	R183	2:D6	2-L2
		4-F8			3-B8	R59	2:S4	1-H7	*R184	2:E4	2-Q5
LOW-PWR	1:G11	4-E6			3-B8	R60	2:S4	1-H6	*R185	2:E4	2-Q5
L1	1:K5	1-B4			3-B6	R61	2:R4	1-K8	R186	2:D7	2-Q2
L300	1:H6	4-L5			3-B6	R62	2:Q3	1-K7	R187	2:E7	2-Q1
L302	1:F7	4-N4			3-B7	R64	2:Q4	1-C7	R188	2:E6	2-R0
L303	1:H9	4-P7			3-B6	R65	2:S4	1-D7	R189	2:E5	2-Q4
L308	1:H8	4-P5	Q1	2:K4	1-C4	R67	2:S3	1-G7	R190	2:E5	2-R4
L309	1:H8	4-P5	Q5	2:T5	1-P8	R68	2:S4	1-G7	R192	2:E8	2-R2
L310	1:H7	4-L5	Q6	2:T4	1-P7	R72	2:P8	1-N5	R194	2:D7	2-Q3
L311	1:H6	4-K5	Q7	2:T4	1-P7	R73	2:P8	1-N5	R195	2:D7	2-R2
L312	1:G7	4-M5	Q8	2:R4	1-H8	R74	2:L5	1-B5	R196	2:E7	2-Q3
L313	1:G7	4-N5	Q9	2:R3	1-H8	R75	2:M5	1-E5	R197	2:E6	2-R0
L314	1:K10	4-K9	Q10	2:Q4	1-J8	RV100	1:B9	2-B4	RV201	1:T7	3-J3
&L418	1:M11	4-C1	Q11	2:Q3	1-J8	R100	2:C4	2-B0	RV202	1:S8	3-M1
&L420	1:M11	4-D1	Q101	2:C8	2-D7	R101	2:D4	2-B1	R224	2:R6	3-K6
&L421	1:M12	4-D1	Q102	2:C11	2-E3	R102	2:D4	2-C1	R227	2:R9	3-Q7
&L422	1:N10	4-E2	Q103	2:B6	2-H7	R103	2:D8	2-C7	R228	2:T7	3-A3
&L423	1:N10	4-E3	Q104	2:B6	2-J8	R104	2:B4	2-C4	R229	2:T7	3-A3
&L424	1:R11	4-H2	Q105	2:B11	2-Q8	RV104	1:C5	2-J6	R230	2:S6	3-C2
&L425	1:T10	4-H3	Q106	1:C4	2-C1	RV105	1:D7	2-Q3	R231	2:U8	3-D5
&L429	1:M12	4-G1	Q208	2:R7	3-M6	R105	2:C8	2-C5	R232	1:T9	3-D3
&L431	1:S11	4-J2	Q209	1:R6	3-D2	RV106	1:D5	2-L1	R233	1:U8	3-E5
&L432	1:T10	4-M1	Q210	1:T9	3-E4	R106	2:D8	2-C6	R234	1:U7	3-E5
&L433	1:T12	4-M3	Q211	2:T8	3-R2	R107	2:D8	2-D7	R235	2:S6	3-E3
&L434	1:V11	4-P2	Q212	2:R9	3-P7	R108	2:D8	2-D8	R236	2:S7	3-E2
&L435	1:V10	4-P2	Q300	1:H6	4-L5	R109	2:D8	2-D7	R237	2:S6	3-G3
&L436	1:V9	4-Q2	Q301	1:G8	4-P5	R110	2:C11	2-D5	R238	2:T7	3-G3
&L437	1:V8	4-Q2	Q350	2:H10	4-F5	R111	2:E4	2-D0	R239	2:S7	3-G2
&L439	1:N12	4-A7	Q351	2:H12	4-J7	R112	2:C8	2-D4	R240	2:S7	3-H3
&L440	1:S10	4-H3	Q352	1:J12	4-K8	R113	2:C11	2-D3	R241	2:T7	3-J3
&L441	1:T10	4-M1	&Q353	2:G11	4-E6	R115	2:E8	2-D6	R242	2:T7	3-J3
&L442	1:T11	4-N2	&Q423	2:N11	4-E1	R116	2:C11	2-E3	R243	2:S7	3-K3
PAD1	1:C1	2-R8	&Q424	2:Q11	4-H1	R117	2:E8	2-E8	R244	2:S7	3-K2
PAD2	1:C11	2-R9	REV-PWR	1:S12	4-M3	R118	2:D9	2-E2	R245	2:R8	3-K1
PAD3	1:D10	2-B2	R1	2:L5	1-B6	R119	2:C10	2-E6	R246	2:S8	3-L3
PAD4	1:D10	2-R6	R2	2:R4	1-B9	R120	2:C9	2-E4	R247	2:S9	3-N2
PAD5	1:E3	2-N6	R3	2:M3	1-B1	R121	2:D9	2-E6	R248	2:S8	3-N1
PAD6	1:D1	2-R6	R5	2:K5	1-B4	R122	2:D7	2-E2	R249	2:S9	3-P2
PAD7	1:B4	2-R7	R6	2:M3	1-B1	R123	2:D5	2-F1	R250	2:T8	3-Q2
PL1	1:P5	1-Q1	R7	2:K5	1-C5	R124	2:C6	2-F1	R251	2:T8	3-Q2
		1-Q2	R8	2:K5	1-C4	R127	2:C6	2-H3	R252	2:Q8	3-M5
		1-Q2	R9	2:L4	1-C5	R128	2:B7	2-G7	R253	2:R7	3-N6
		1-Q2	R10	2:K5	1-C4	R131	2:C6	2-J2	R254	2:R8	3-P5
		1-Q2	R11	2:M3	1-C1	R136	2:C7	2-J1	R255	2:S7	3-H3
		1-Q3	R14	2:L4	1-C1	R141	2:B5	2-K7	R256	2:T8	3-L3
		1-Q1	R16	2:L4	1-D1	R143	2:B5	2-L7	R257	2:S8	3-L2
PL100	1:D9	2-D7	R18	2:M5	1-D6	R146	2:D4	2-M6	R258	2:S9	3-P2
		2-D8	R19	2:L3	1-D1	R147	2:D5	2-M1	R259	2:T6	3-B1
		2-D7	R20	2:L3	1-D1	R148	2:D4	2-N5	R260	2:T6	3-B2
		2-E7	R21	2:R4	1-E8	R149	2:D6	2-N5	R300	1:J6	4-H4
		2-E7	R22	2:T4	1-E8	R150	2:E5	2-N4	R301	1:J6	4-J5
PL101	1:C10	2-E3	R24	2:M4	1-G5	R151	2:D4	2-P4	R302	1:J6	4-J4
		2-E3	R25	2:N3	1-G3	*R152	2:E4	2-P5	R303	2:G6	4-L4
		2-E3	R29	2:N4	1-H4	R155	2:C11	2-Q8	R304	2:M8	1-A4
		2-F3	R30	2:N4	1-H3	R159	2:C11	2-Q8	R305	1:H7	4-L5
		2-F3	R32	2:M4	1-J3	R162	2:B11	2-R9	R306	2:G8	4-N4
		2-F3	R35	2:M5	1-J3	R163	2:C2	2-R6	R313	2:H6	4-L5
PL102	1:D10	2-G3	R36	2:M5	1-J3	R164	2:B10	2-R6	R350	2:G10	4-B7
		2-G3	R37	2:P5	1-J5	R166	2:B6	2-G6	&RV351	1:G12	4-B5
		2-G3	R38	2:P5	1-K6	R167	2:B7	2-G4	R352	2:G11	4-B6
		2-F3	R39	2:N5	1-K3	R168	2:B7	2-H5	R353	2:G10	4-B7
		2-F3	R40	2:N5	1-K2	R169	2:D7	2-H3	R354	2:G11	4-D6
		2-F3	R42	2:N4	1-L5	R170	2:B7	2-H4	&RV356	1:J10	4-D7
PL103	1:C9	2-G1	R43	2:N5	1-L4	R171	2:B7	2-H4	&RV357	1:G12	4-E6
		2-G2	R46	2:P8	1-M5	R172	2:D5	2-J7	R357	2:H10	4-D7
		2-G2	R47	2:T5	1-P8	R173	2:C6	2-J5	R358	2:G10	4-G8
		2-G1	R48	2:T4	1-P7	R174	2:C6	2-J5	R359	2:H10	4-H7
PL200	1:W5	3-B7	R49	2:T3	1-P6	R175	2:B6	2-J8	R360	2:H12	4-J8
		3-B7	R50	2:T3	1-N7	R176	2:C5	2-J6	R361	2:J10	4-F5
		3-B8	R51	2:T4	1-N7	R177	2:C6	2-J5	R362	2:J9	4-F5
		3-B7	R52	2:L3	1-H4	R178	2:D6	2-K2	R363	2:H11	4-E8
		3-B8	R54	2:R3	1-G6	R179	2:D6	2-K3	R364	2:G9	4-N6
		3-B5	R55	2:S4	1-J6	R180	2:D6	2-K1	R365	2:J11	4-G9
		3-B6	R56	2:R4	1-J6	R181	2:D6	2-L1	R366	2:H11	4-G9

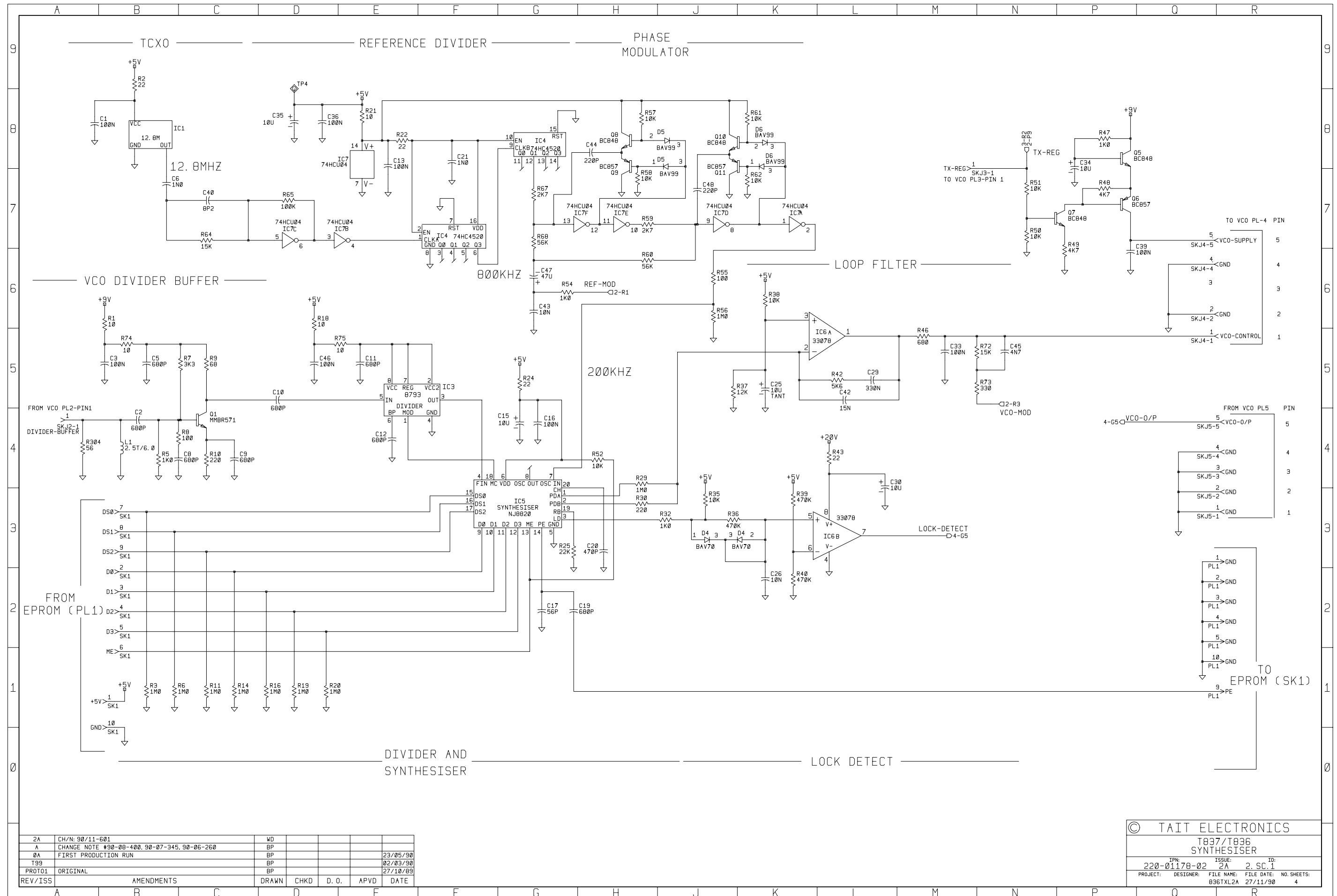
<u>Device</u>	<u>PCB</u>	<u>Circuit</u>	<u>Device</u>	<u>PCB</u>	<u>Circuit</u>	<u>Device</u>	<u>PCB</u>	<u>Circuit</u>	<u>Device</u>	<u>PCB</u>	<u>Circuit</u>
&R367	2:H10	4-E7									
R417	2:G10	4-D8									
R420	2:G10	4-C7									
R421	2:H10	4-D7									
R422	1:H8	4-L6									
R423	1:J8	4-L6									
R424	1:H8	4-N5									
&R425	1:G9	4-Q5									
&R426	1:G9	4-Q5									
&R427	1:F9	4-Q4									
&R428	1:G8	4-Q4									
&R429	2:G11	4-D6									
&R430	2:G11	4-E6									
&R431	2:G11	4-E5									
&R457	1:N10	4-C2									
&R458	1:M11	4-D1									
&R459	1:P10	4-E2									
&R460	1:S10	4-G3									
&R461	1:S10	4-G3									
&R462	0:B1	4-G1									
&R464	0:B1	4-G2									
&R466	2:S12	4-L1									
&R469	2:S12	4-M3									
&R470	2:S11	4-M2									
&R471	2:U11	4-N1									
&R480	2:U12	4-N3									
&R481	2:T10	4-M1									
&R482	1:N12	4-A6									
SK1	1:K5	1-B1									
		1-B3									
		1-B3									
		1-B2									
		1-B2									
		1-B2									
		1-B2									
		1-B1									
		1-B1									
SK100	1:B8	2-A7									
SK300	1:G10	4-R5									
&SK401	1:L12	4-A1									
SKJ2-1	1:M8	1-A4									
SKJ3-1	1:L7	1-N8									
SKJ4-1	1:Q8	1-Q5									
SKJ4-2	1:Q8	1-Q6									
SKJ4-4	1:Q7	1-Q6									
SKJ4-5	1:Q7	1-Q7									
SKJ5-1	1:K8	1-Q3									
SKJ5-2	1:K8	1-Q3									
SKJ5-3	1:K8	1-Q4									
SKJ5-4	1:K7	1-Q4									
SKJ5-5	1:K7	1-Q4									
SW101	1:C11	2-B5									
T100	1:C3	2-B3									
T200	1:R8	3-M7									
TP1	1:K10	4-E3									
TP2	1:T5	4-B8									
TP3	1:R6	3-K6									
TP4	1:P5	1-D9									
TP5	1:J4	2-P8									
TP6	1:G11	4-C6									
TP7	1:K10	4-F6									



T836/837 Test Points & Options
Top Side
220-01178-02

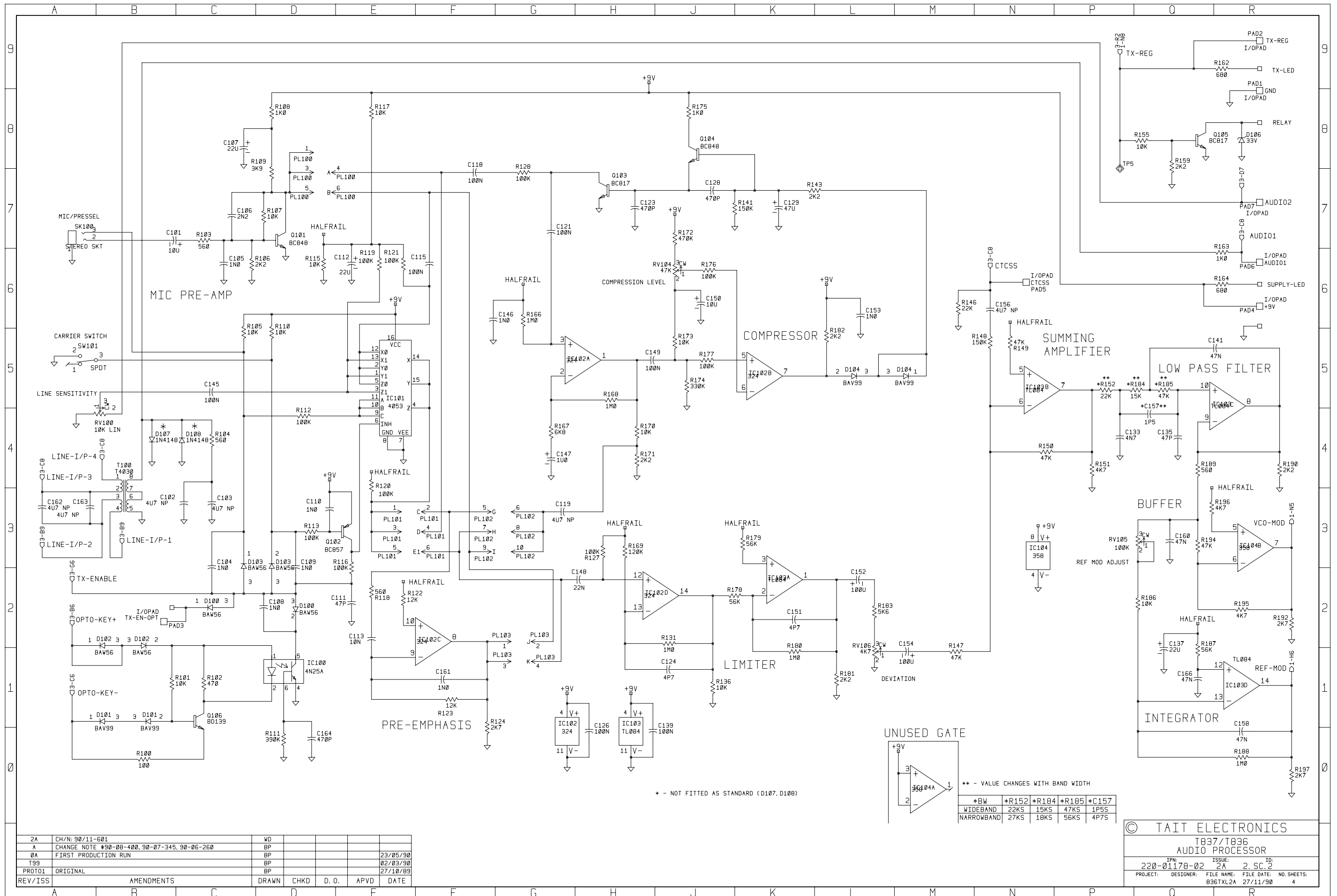


T836/837 Test Points & Options
Bottom Side
220-01178-02



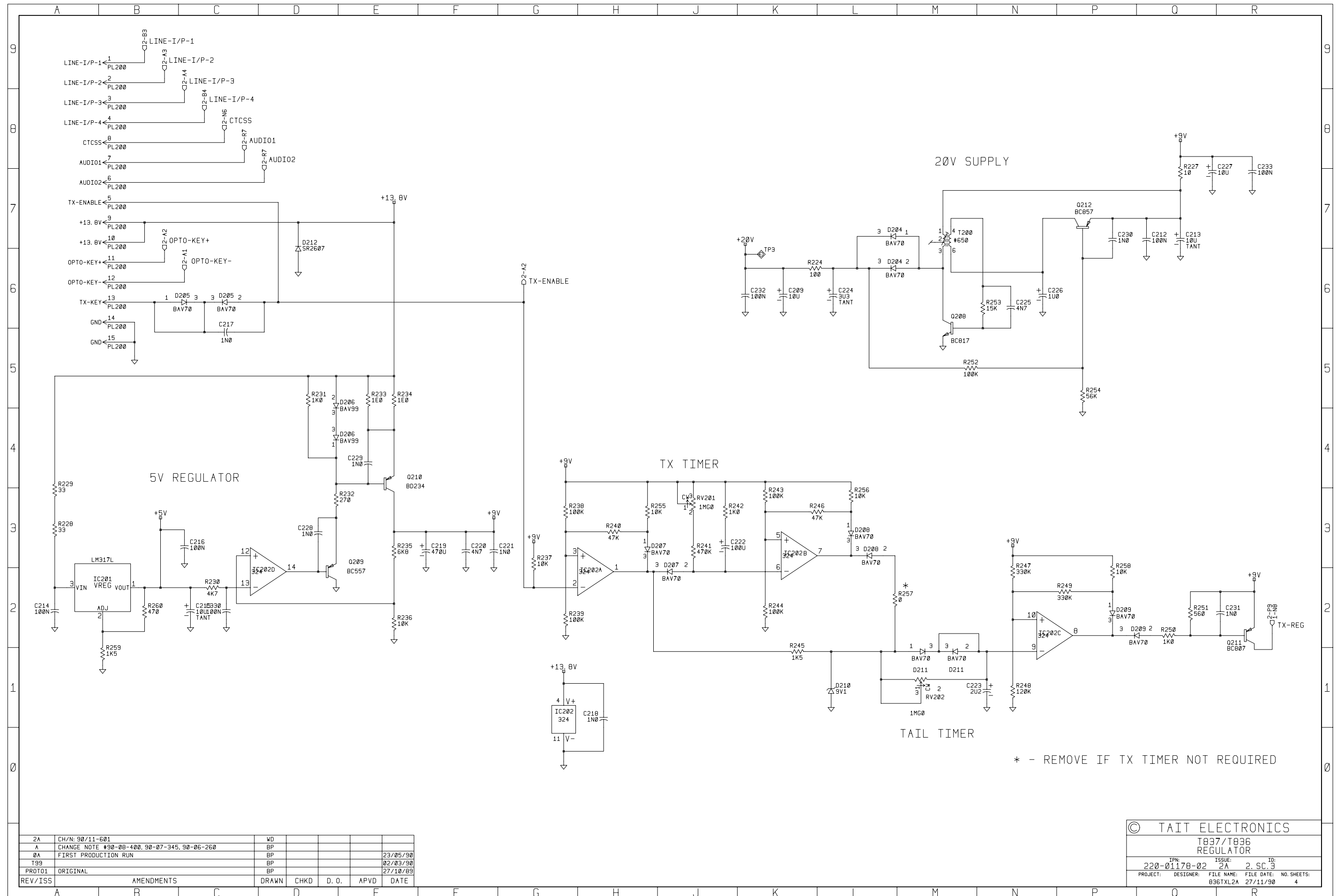
2A	CH/N: 90/11-601	WD			
A	CHANGE NOTE #90-08-400, 90-07-345, 90-06-260	BP			
0A	FIRST PRODUCTION RUN	BP			23/05/90
T99		BP			02/03/90
PROT01	ORIGINAL	BP			27/10/89
REV/ISS	AMENDMENTS	DRAWN	CHKD	D.O.	APVD DATE

© TAIT ELECTRONICS	
T837/T836 SYNTHESISER	
IPN: 220-01178-02	ISSUE: 2A
PROJECT: DESIGNER:	FILE NAME: FILE DATE: NO. SHEETS:
	B36TXL2A 27/11/90 4



2A	CH/N: 90/11-601	WD		
A	CHANGE NOTE #90-08-400, 90-07-345, 90-06-260	BP		
0A	FIRST PRODUCTION RUN	BP		23/05/90
T99		BP		02/03/90
PROT01	ORIGINAL	BP		27/10/89
REV/ISS	AMENDMENTS	DRAWN	CHKD	D. O. APVD DATE

© TAIT ELECTRONICS			
T837/T836			
AUDIO PROCESSOR			
IPN:	ISSUE:	2A	2 SC 2
PROJECT:	DESIGNER:	FILE NAME:	FILE DATE:
		836TXL2A	27/11/90
			NO. SHEETS: 4



2A	CH/N: 90/11-601	WD		
A	CHANGE NOTE #90-08-400, 90-07-345, 90-06-260	BP		
0A	FIRST PRODUCTION RUN	BP		23/05/90
T99		BP		02/03/90
PROT01	ORIGINAL	BP		27/10/89
REV/ISS	AMENDMENTS	DRAWN	CHKD	D. O. APVD DATE

© TAIT ELECTRONICS			
T837/T836 REGULATOR			
IPN: 220-01178-02	ISSUE: 2A	ID: 2	SC: 3
PROJECT: 836TXL2A	DESIGNER: FILE NAME:	FILE DATE: 27/11/90	NO. SHEETS: 4

